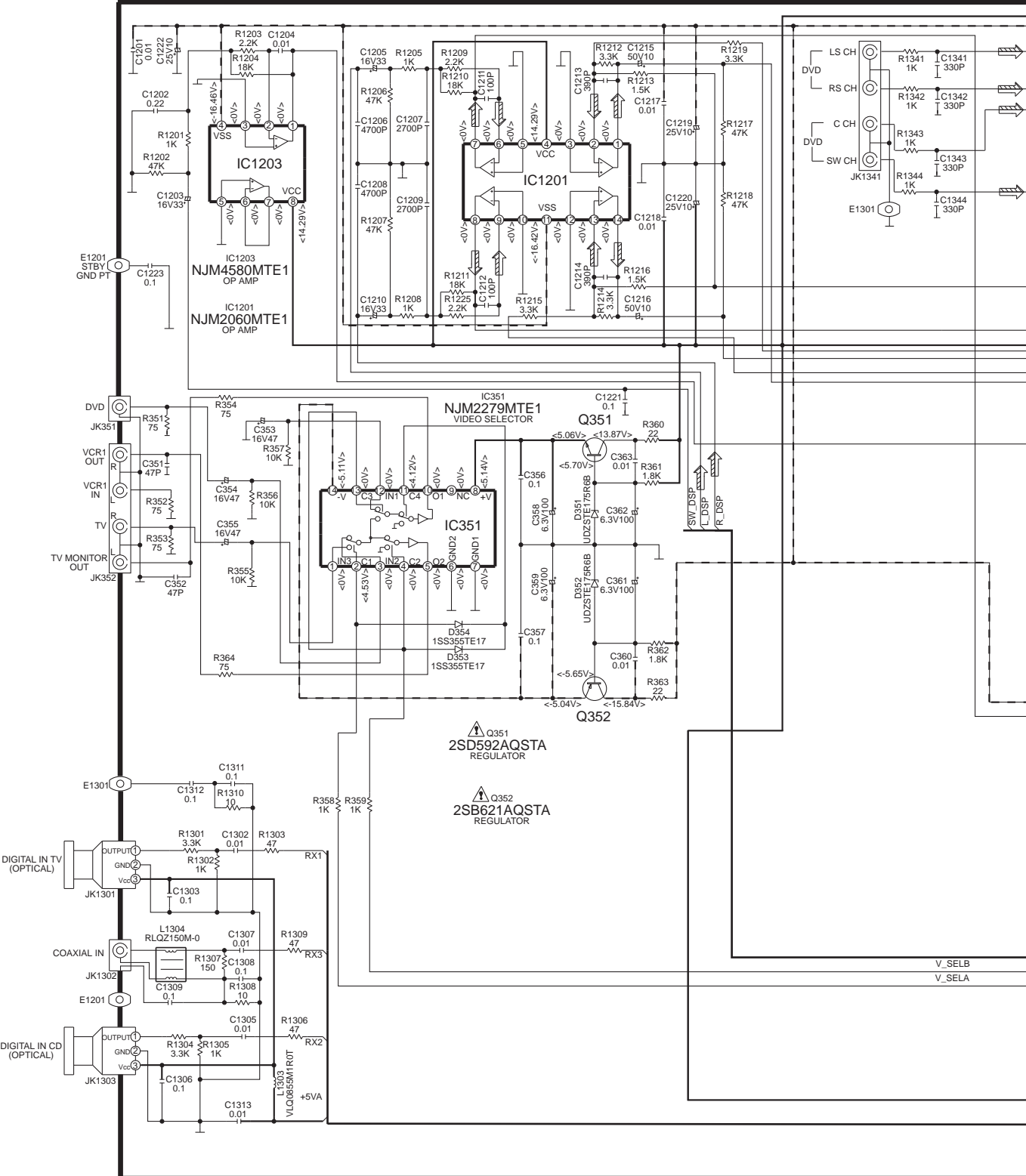


SCHEMATIC DIAGRAM - 1

— : +B SIGNAL LINE - - - : -B SIGNAL LINE ⇨ : MAIN SIGNAL LINE

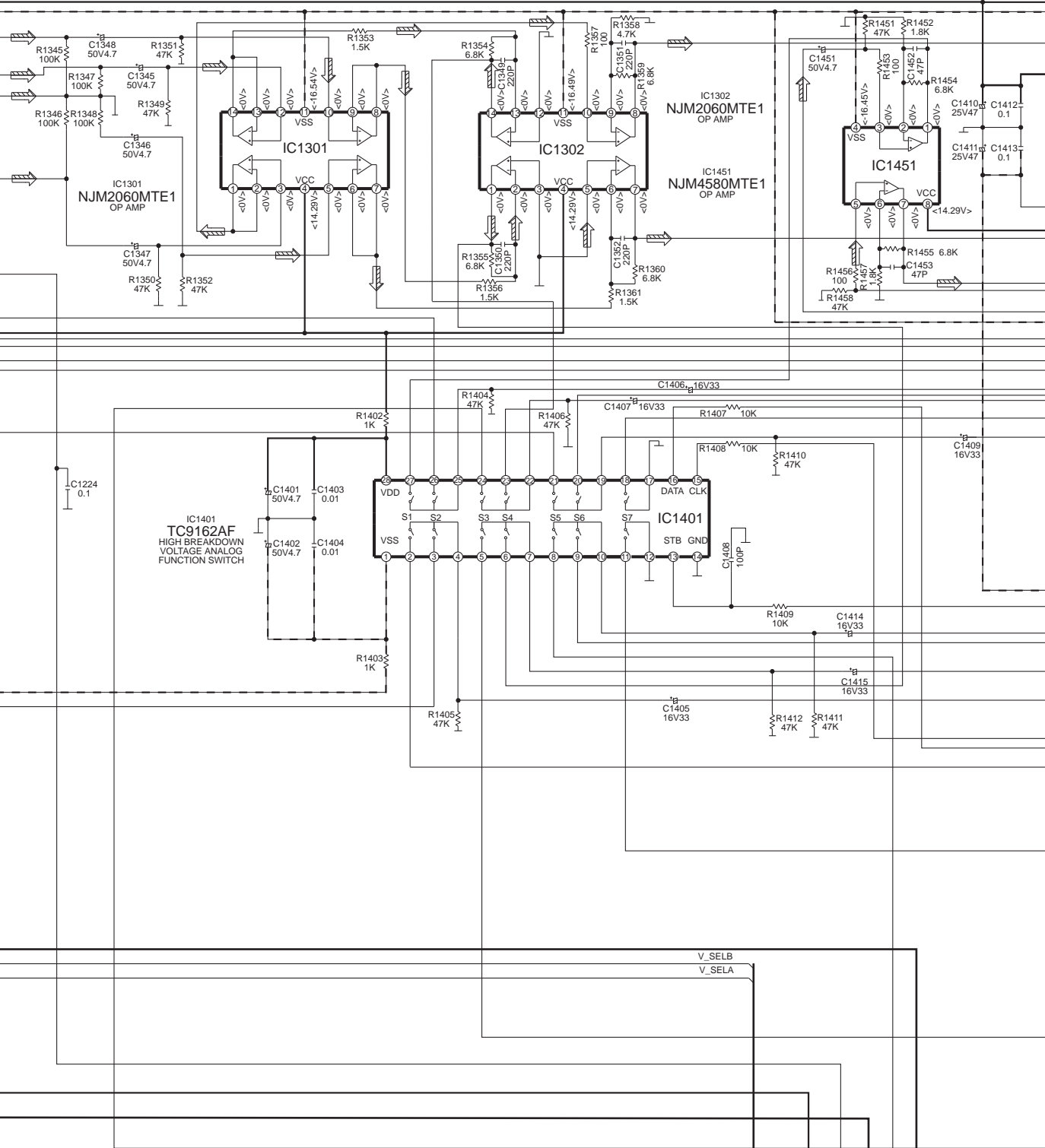
A DIGITAL CIRCUIT



SCHEMATIC DIAGRAM - 2

— : +B SIGNAL LINE - - - : -B SIGNAL LINE ⇨ : MAIN SIGNAL LINE

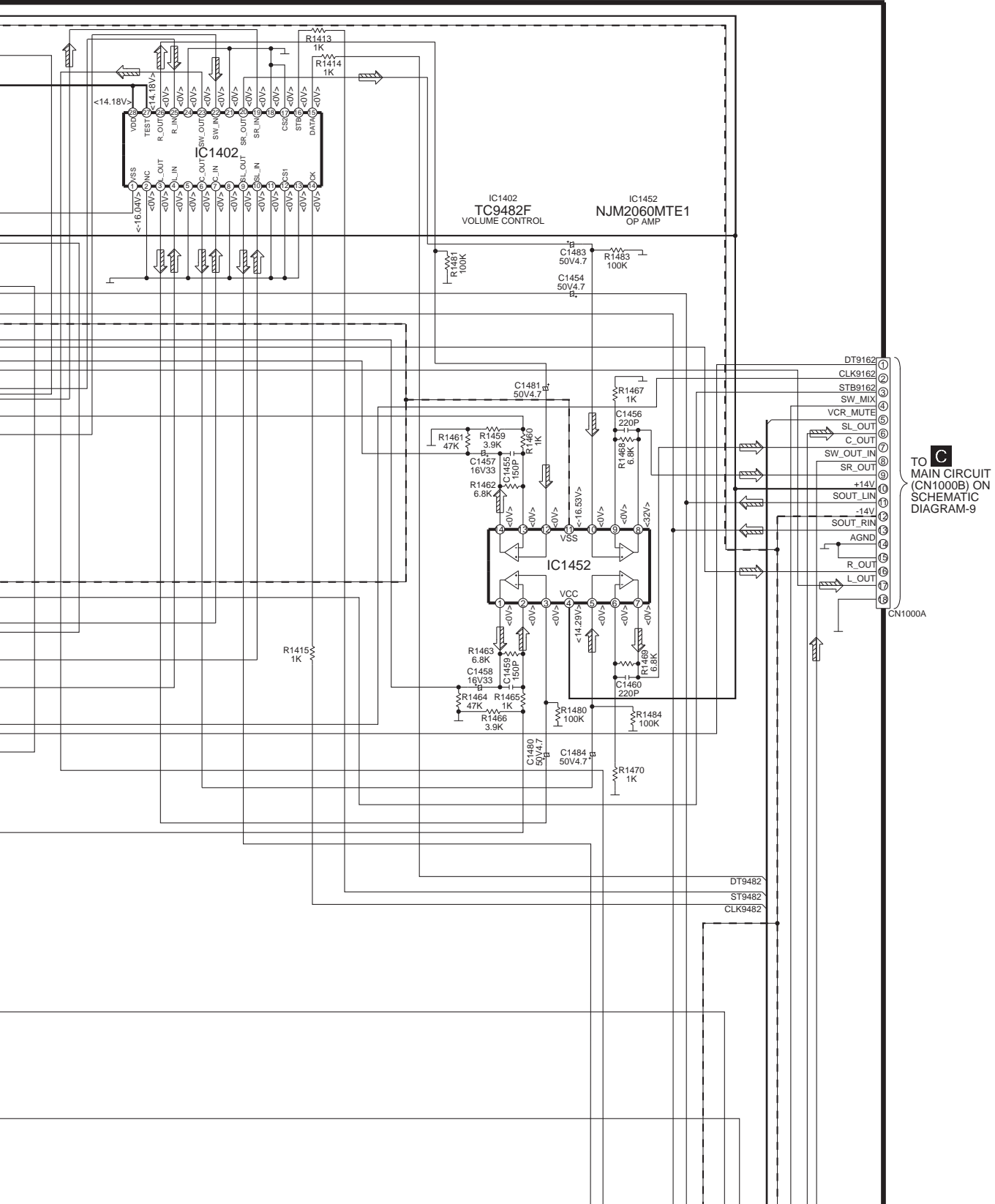
A DIGITAL CIRCUIT



SCHEMATIC DIAGRAM - 3

— : +B SIGNAL LINE - - - : -B SIGNAL LINE ⇨ : MAIN SIGNAL LINE

A DIGITAL CIRCUIT

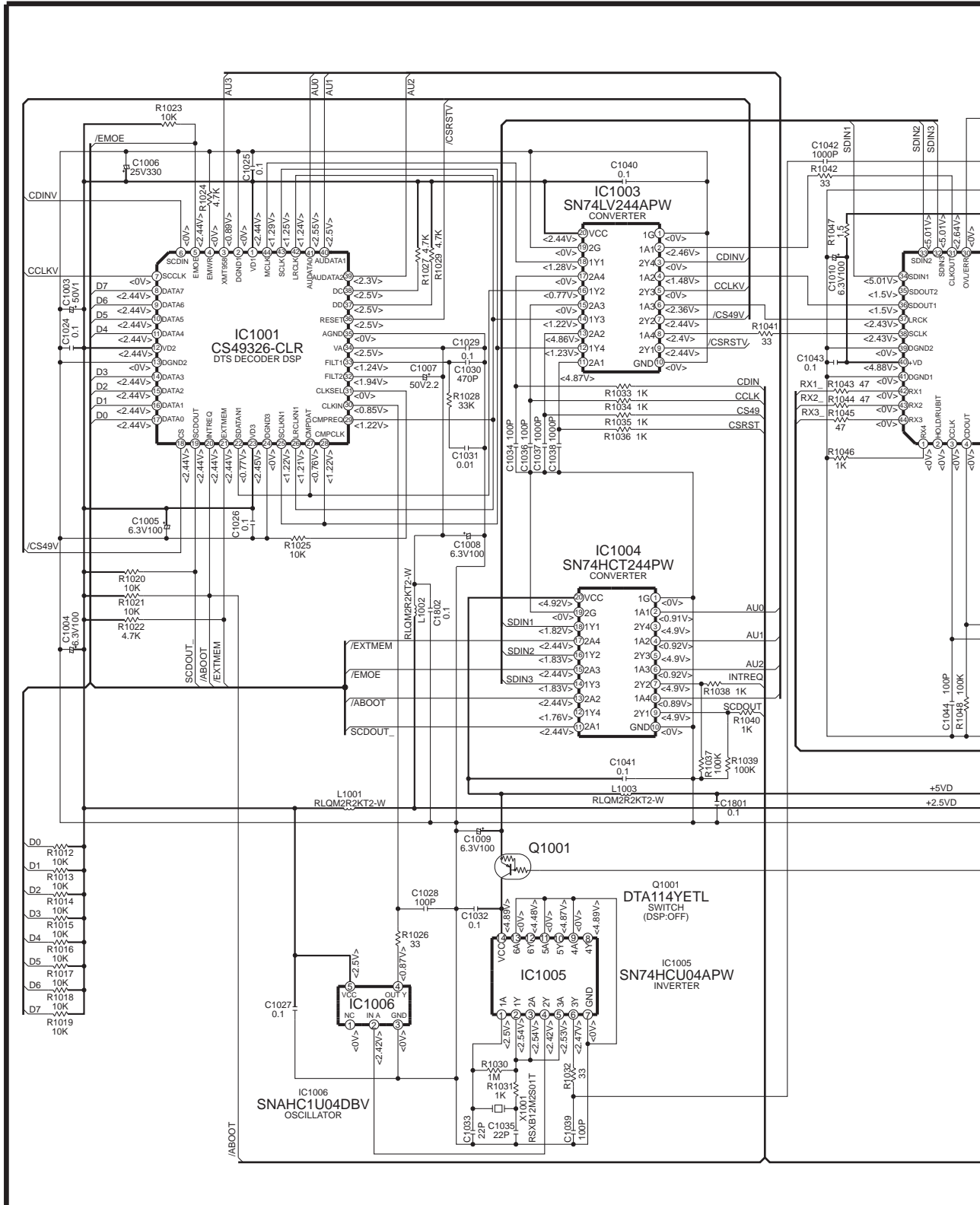


C
TO MAIN CIRCUIT
(CN1000B) ON
SCHEMATIC
DIAGRAM-9

SCHEMATIC DIAGRAM - 4

— : +B SIGNAL LINE

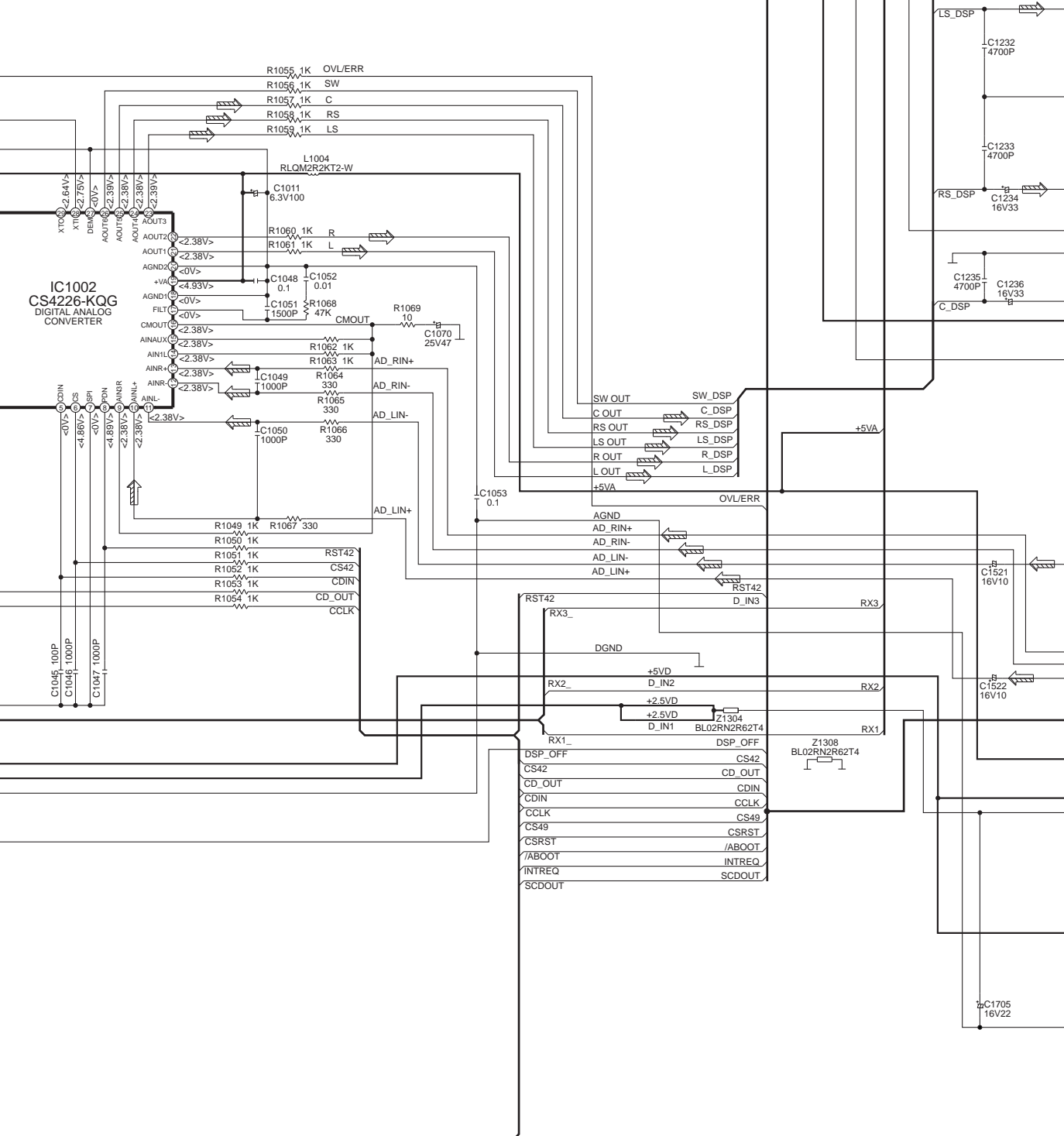
A DIGITAL CIRCUIT



SCHEMATIC DIAGRAM - 5

— : +B SIGNAL LINE ⇨ : MAIN SIGNAL LINE

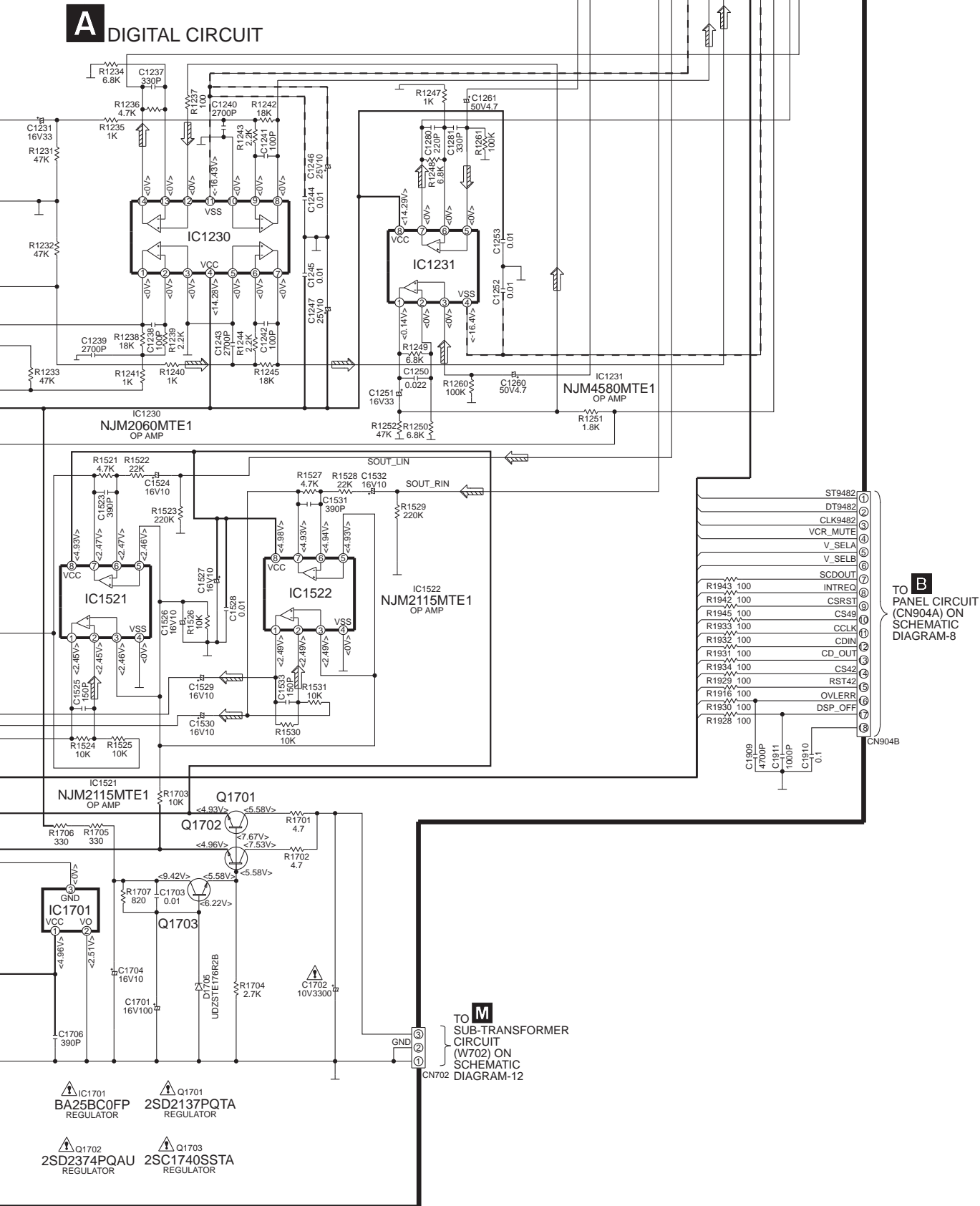
A DIGITAL CIRCUIT



SCHEMATIC DIAGRAM - 6

— : +B SIGNAL LINE - - - : -B SIGNAL LINE ⇨ : MAIN SIGNAL LINE

A DIGITAL CIRCUIT



TO **B** PANEL CIRCUIT (CN904A) ON SCHEMATIC DIAGRAM-8

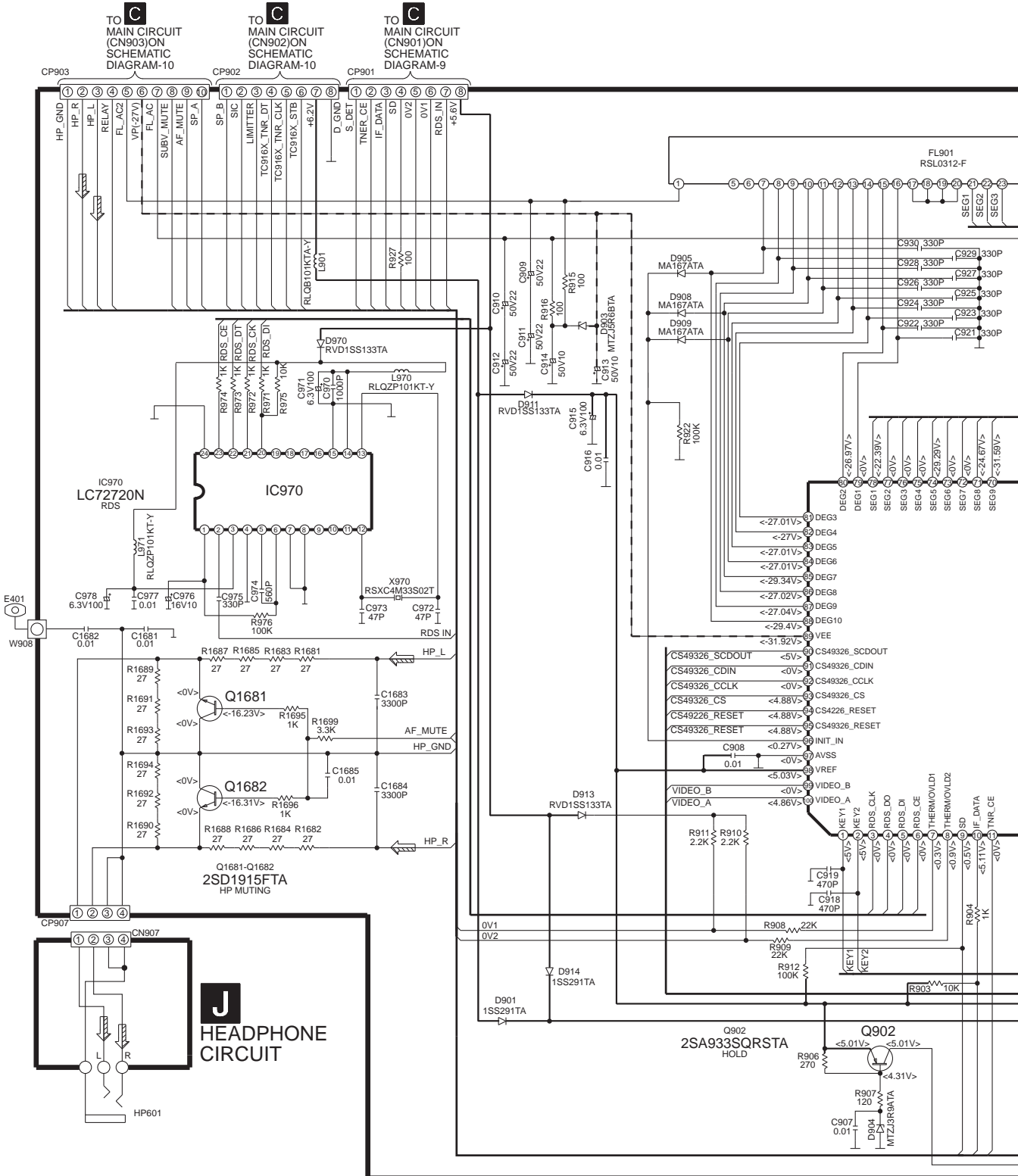
TO **M** SUB-TRANSFORMER CIRCUIT (W702) ON SCHEMATIC DIAGRAM-12

- IC1701 BA25BC0FP REGULATOR
- Q1701 2SD2137PQTA REGULATOR
- Q1702 2SD2374PQAU REGULATOR
- Q1703 2SC1740SSTA REGULATOR

SCHEMATIC DIAGRAM - 7

— : +B SIGNAL LINE - - - : -B SIGNAL LINE ⇨ : MAIN SIGNAL LINE

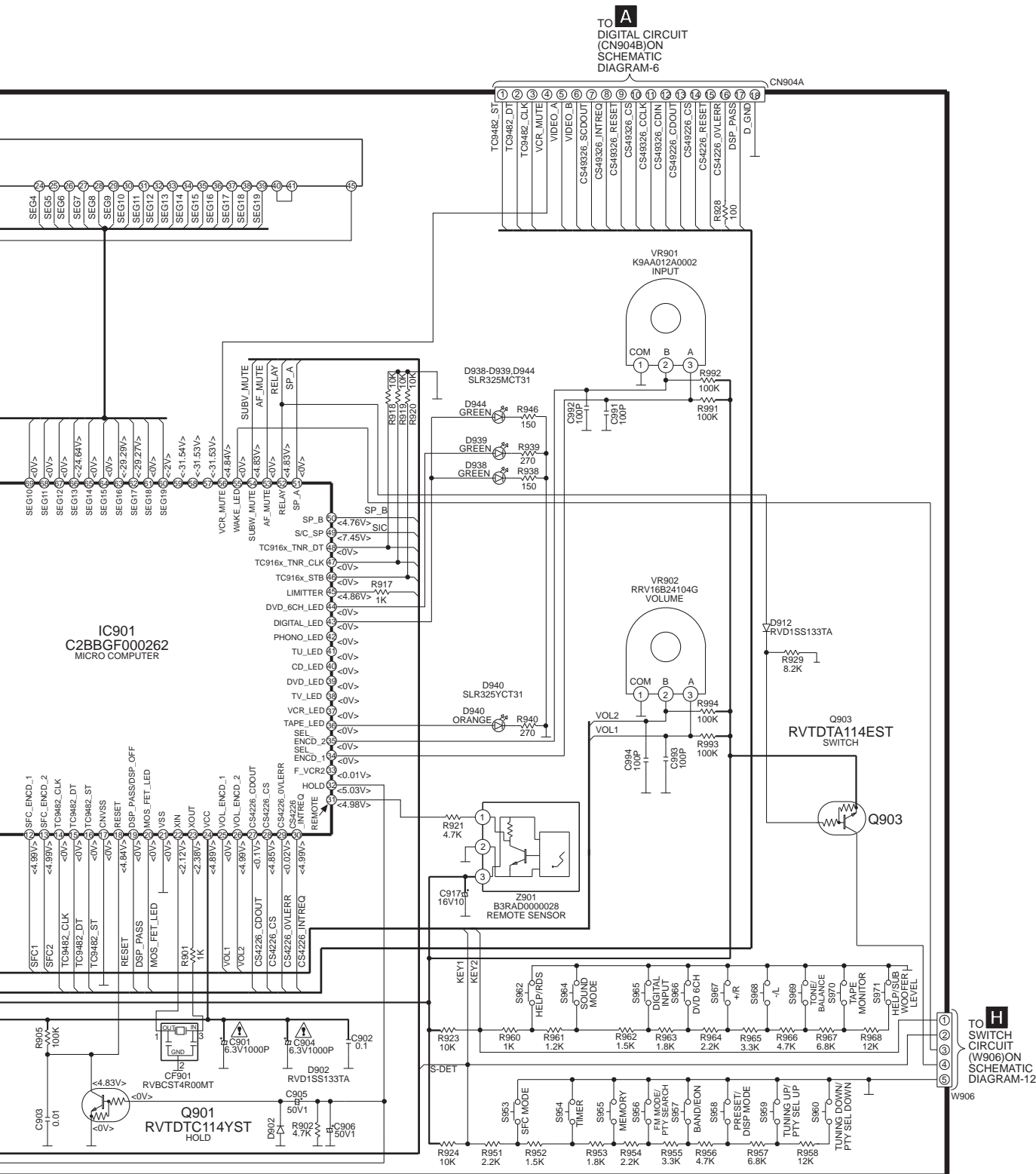
B PANEL CIRCUIT



SCHEMATIC DIAGRAM - 8

B PANEL CIRCUIT

— : +B SIGNAL LINE

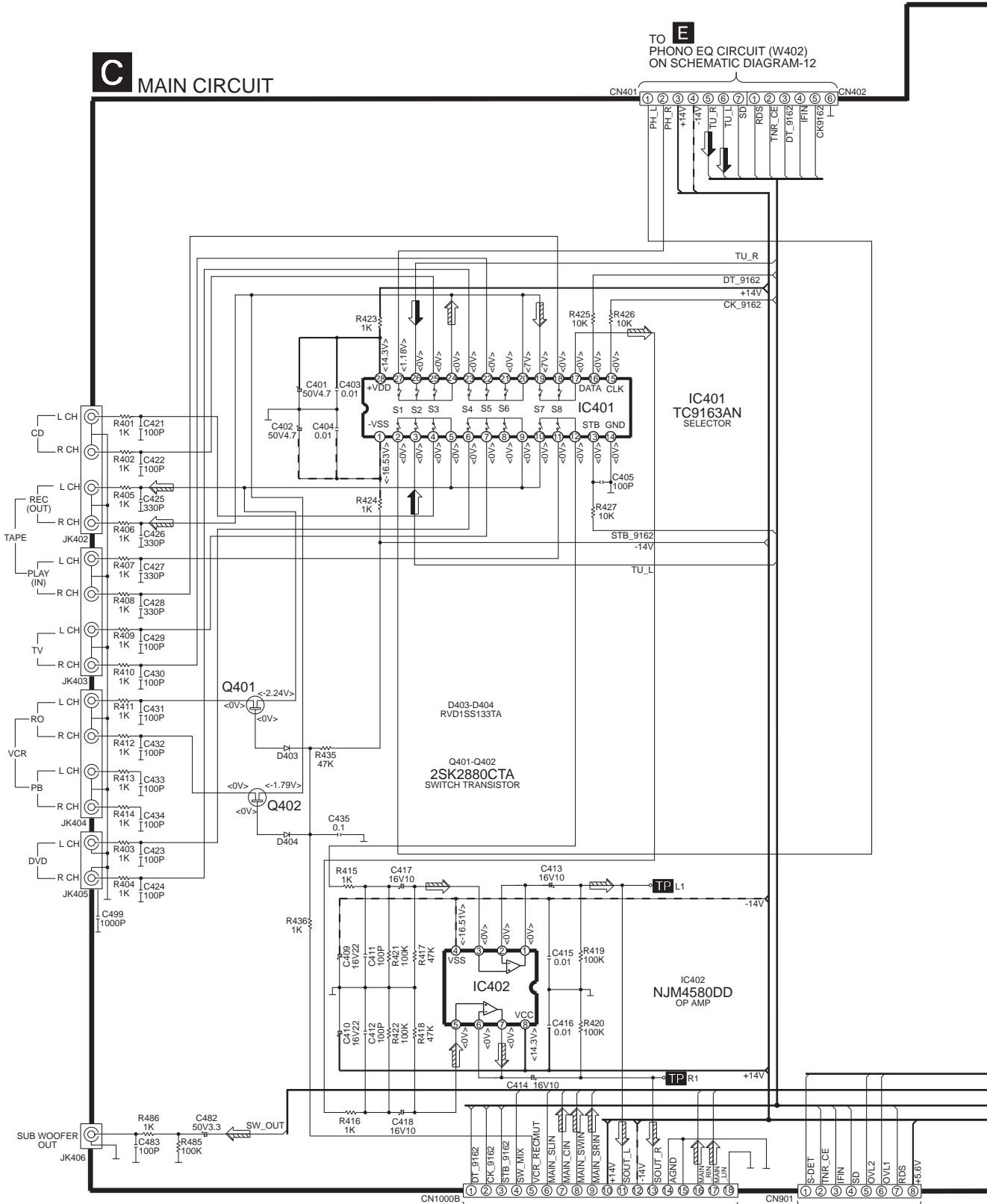


TO SWITCH CIRCUIT (W906) ON SCHEMATIC DIAGRAM-12

W906

SCHEMATIC DIAGRAM - 9

— : +B SIGNAL LINE - - : -B SIGNAL LINE ➡ : FM/AM SIGNAL LINE ⇨ : MAIN SIGNAL LINE



A
TO DIGITAL CIRCUIT (CN1000A)
ON SCHEMATIC DIAGRAM-3

B
TO PANEL CIRCUIT (CP901)
ON SCHEMATIC DIAGRAM-7

SCHEMATIC DIAGRAM - 10

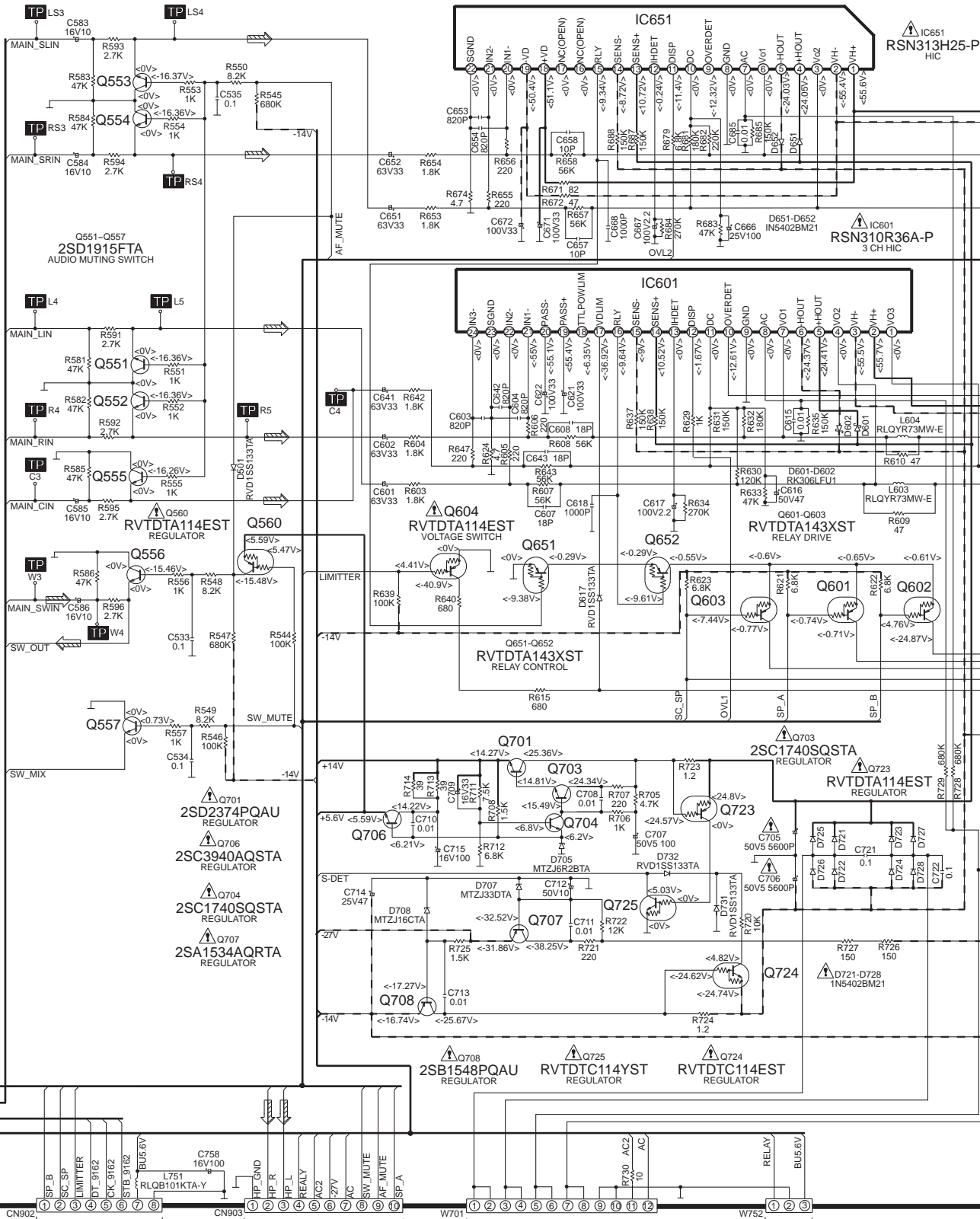


MAIN CIRCUIT

— : +B SIGNAL LINE

- - - : -B SIGNAL LINE

⇒ : MAIN SIGNAL LINE



TO **B** PANEL CIRCUIT (CP902) ON SCHEMATIC DIAGRAM-7

TO **B** PANEL CIRCUIT (CP903) ON SCHEMATIC DIAGRAM-7

TO **M** SUB-TRANSFORMER CIRCUIT (W701) ON SCHEMATIC DIAGRAM-12

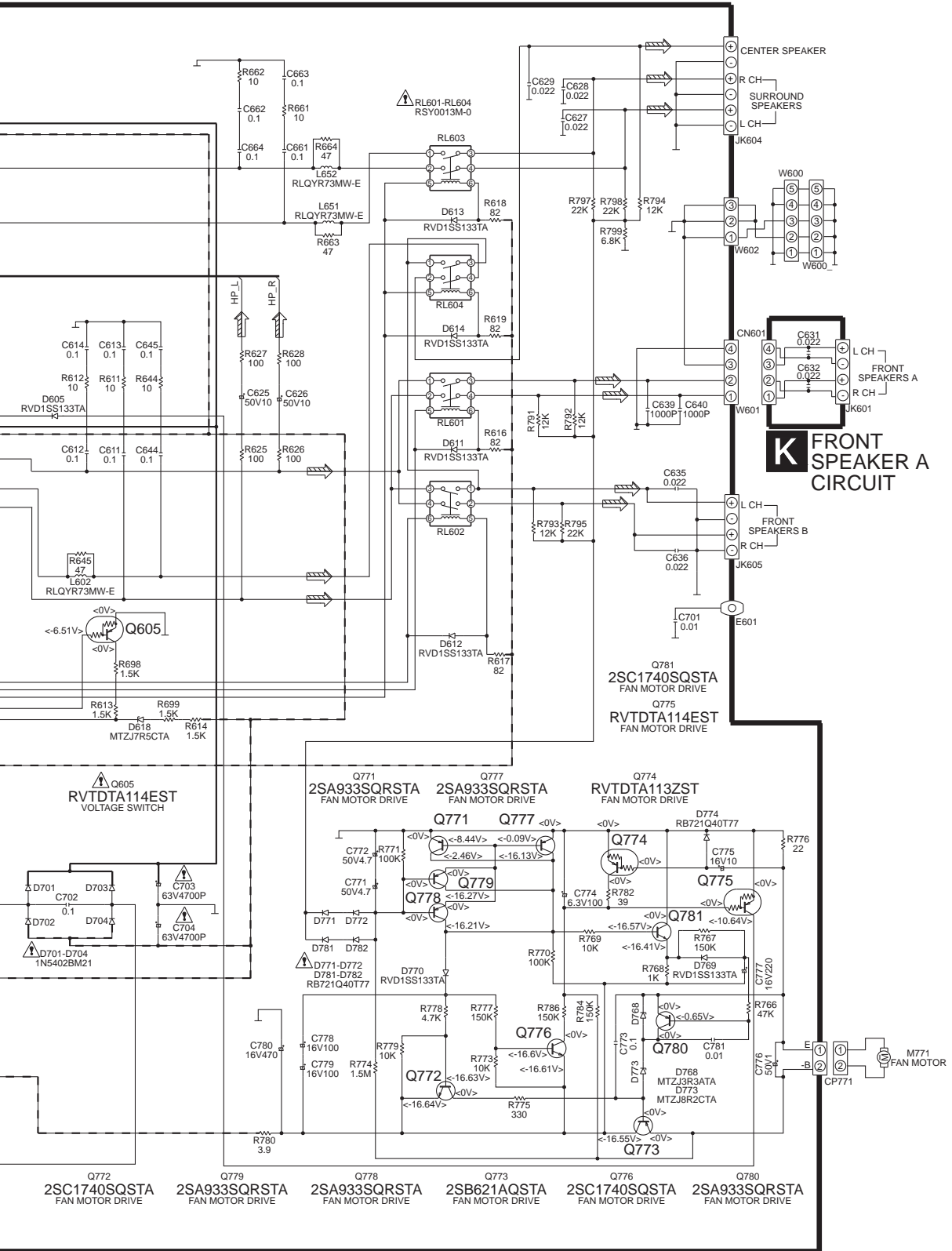
TO **F** TRANSFORMER CIRCUIT (W752) ON SCHEMATIC DIAGRAM-12

SCHEMATIC DIAGRAM - 11



MAIN CIRCUIT

— : +B SIGNAL LINE - - - : -B SIGNAL LINE ⇨ : MAIN SIGNAL LINE



SCHEMATIC DIAGRAM - 12

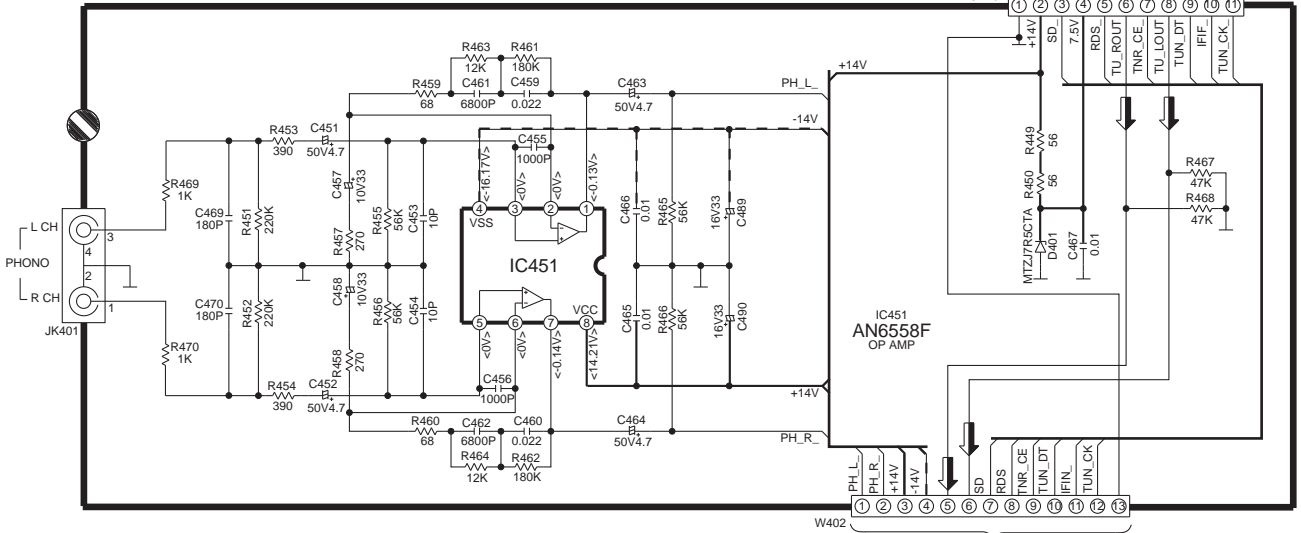
— : +B SIGNAL LINE

- - : -B SIGNAL LINE

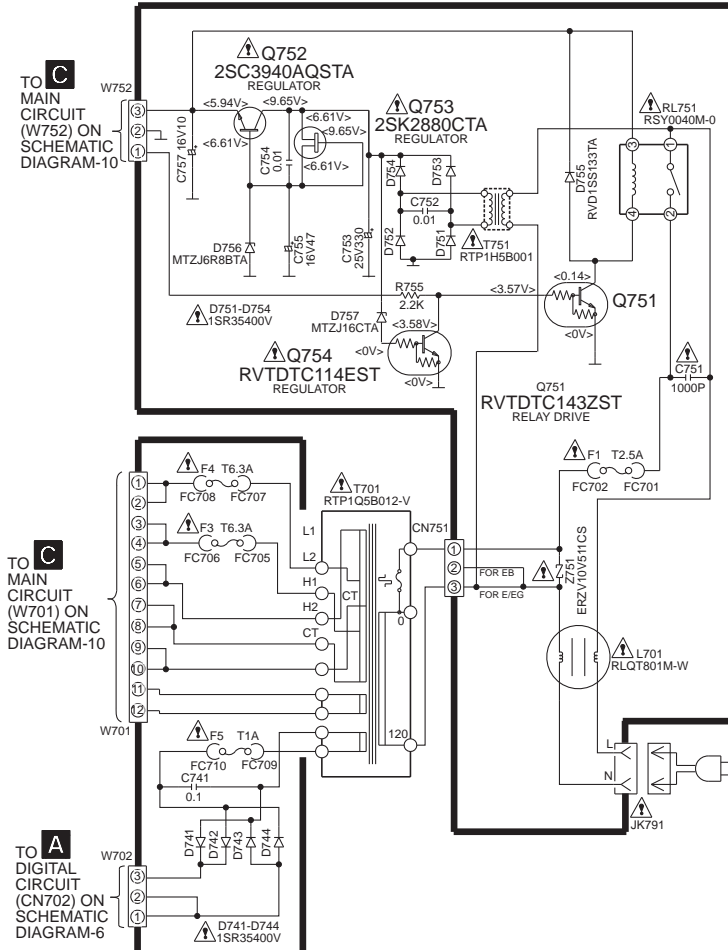
➡ : FM/AM SIGNAL LINE

TO **L**
TUNER PACK
(RAN002EM)

E PHONO EQ CIRCUIT



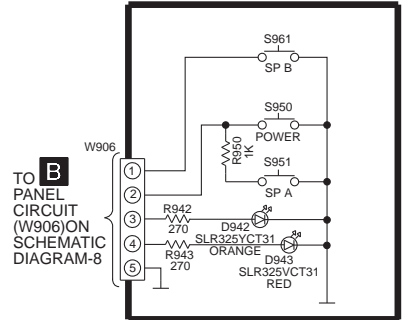
F TRANSFORMER CIRCUIT

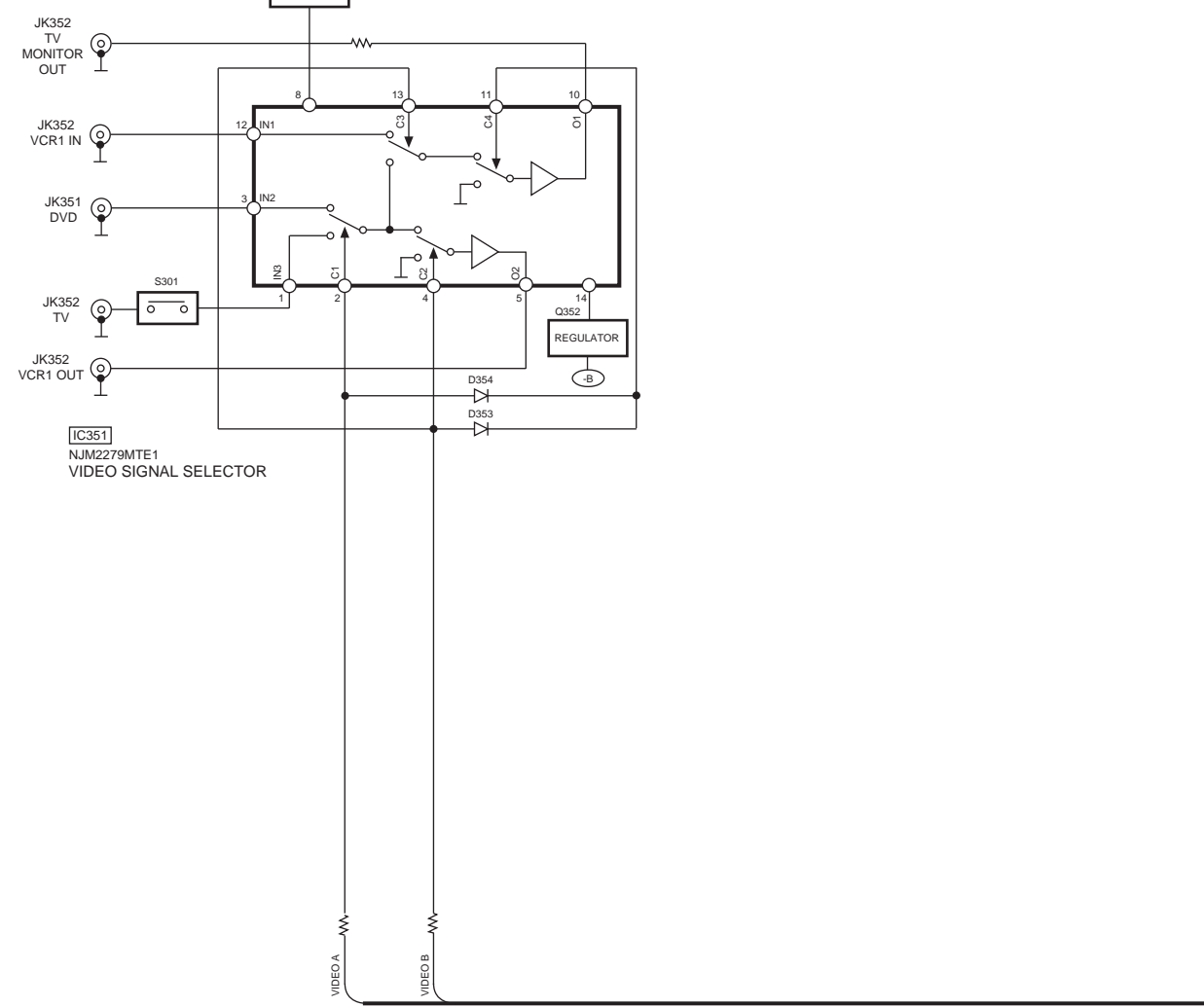
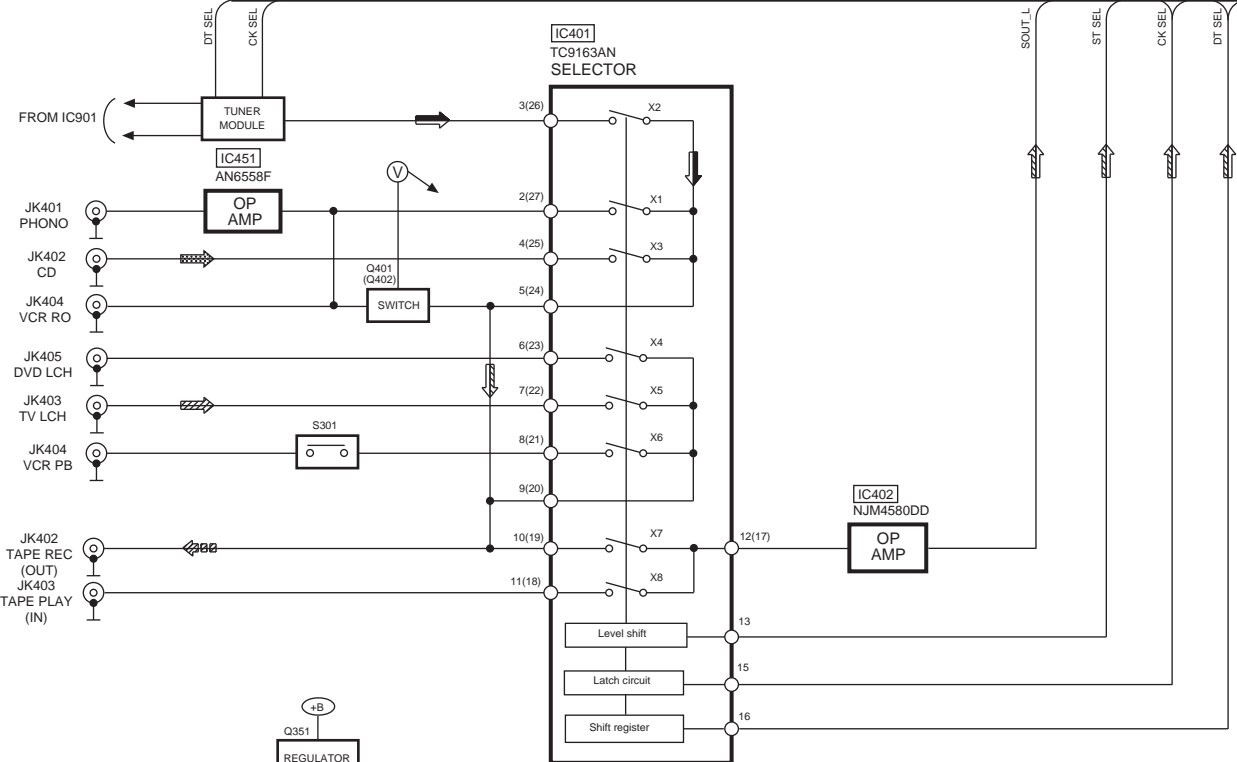


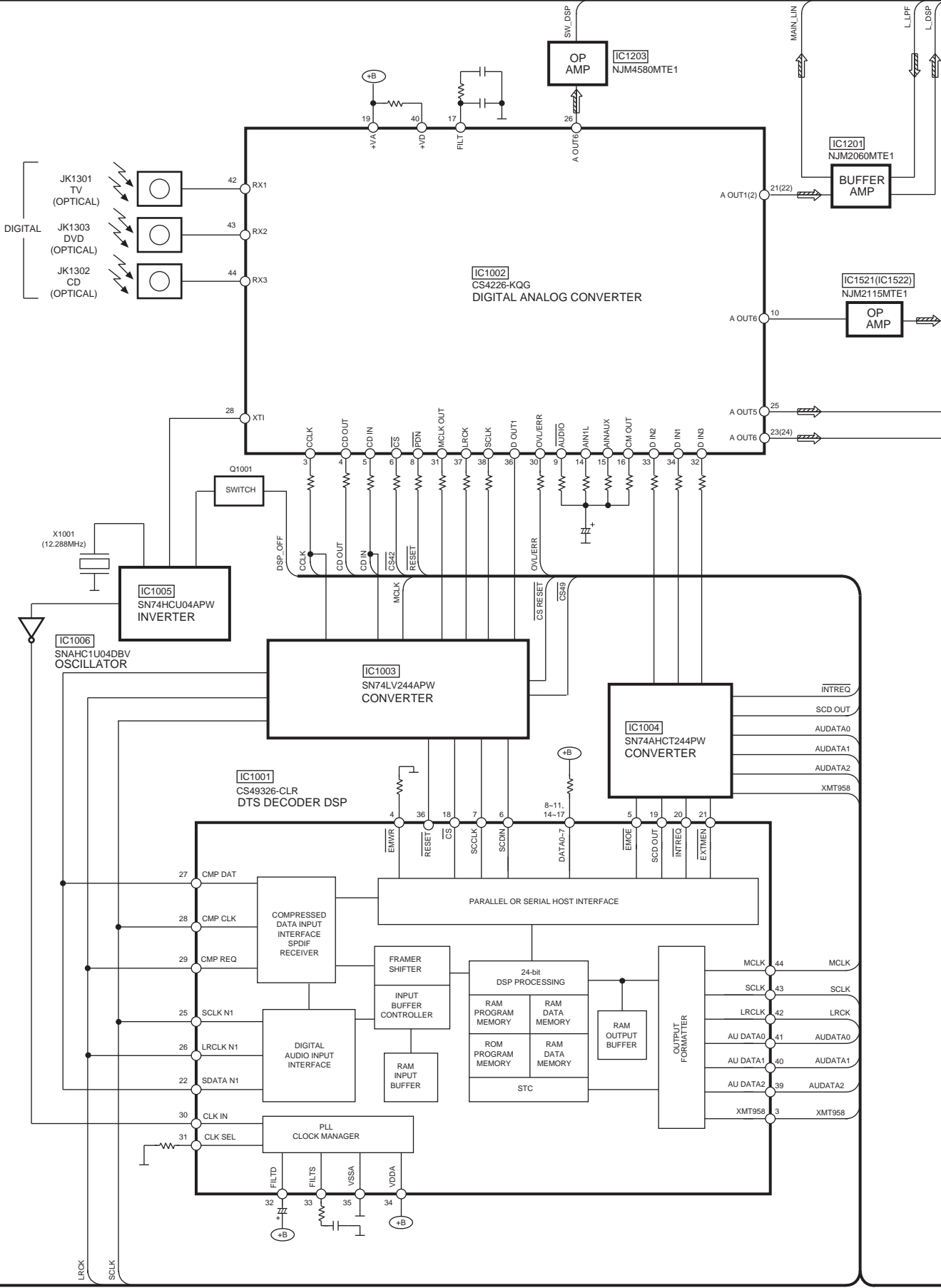
M SUB-TRANSFORMER CIRCUIT

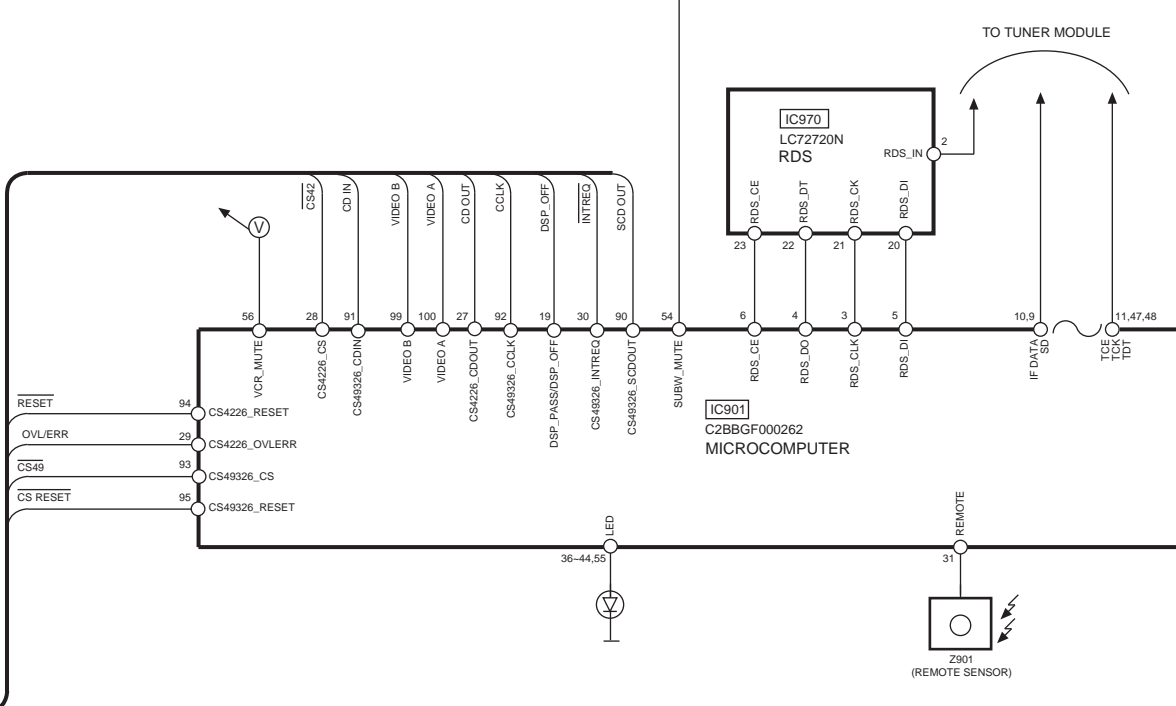
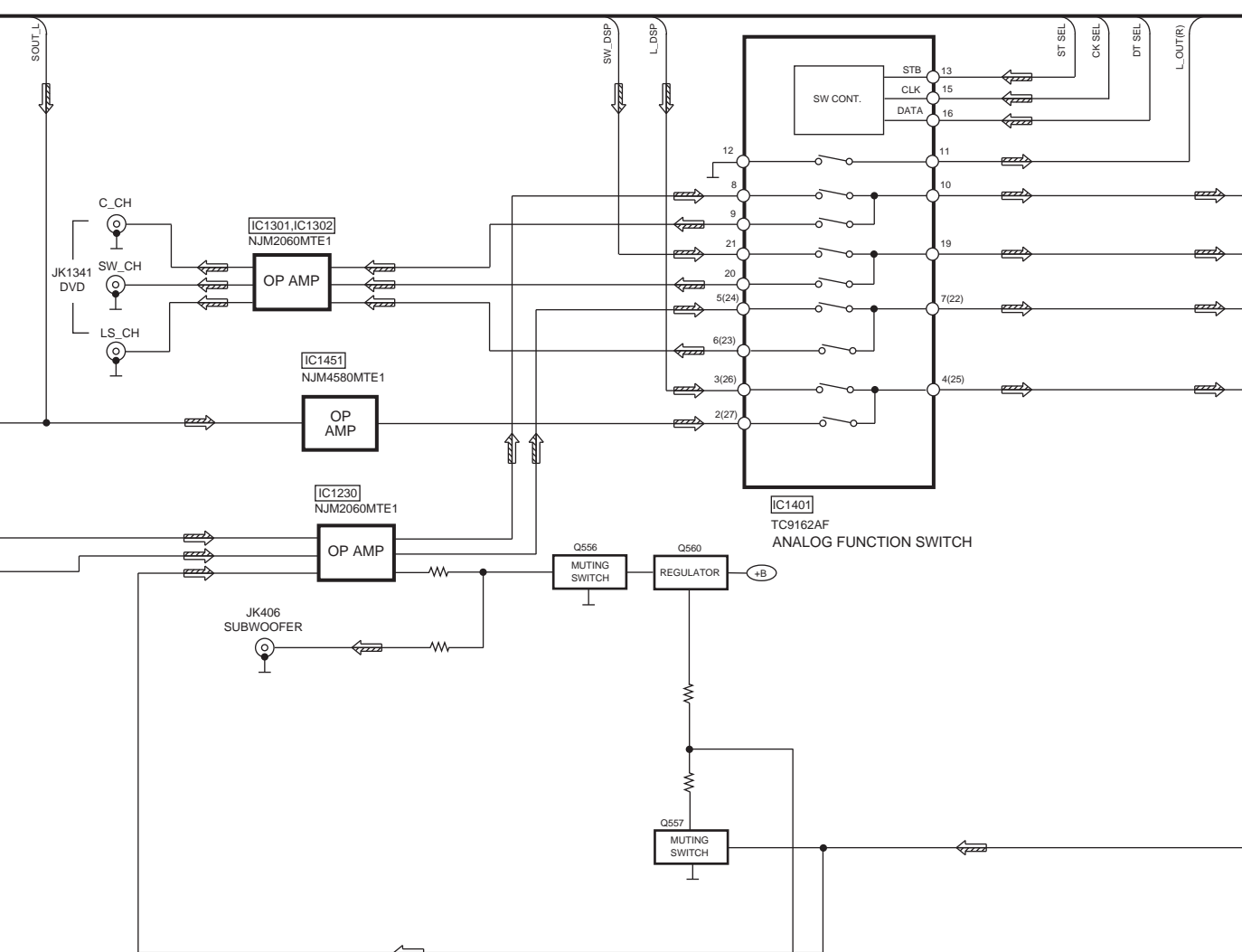
TO **C**
MAIN CIRCUIT
(CN401/CN402) ON
SCHEMATIC DIAGRAM-9

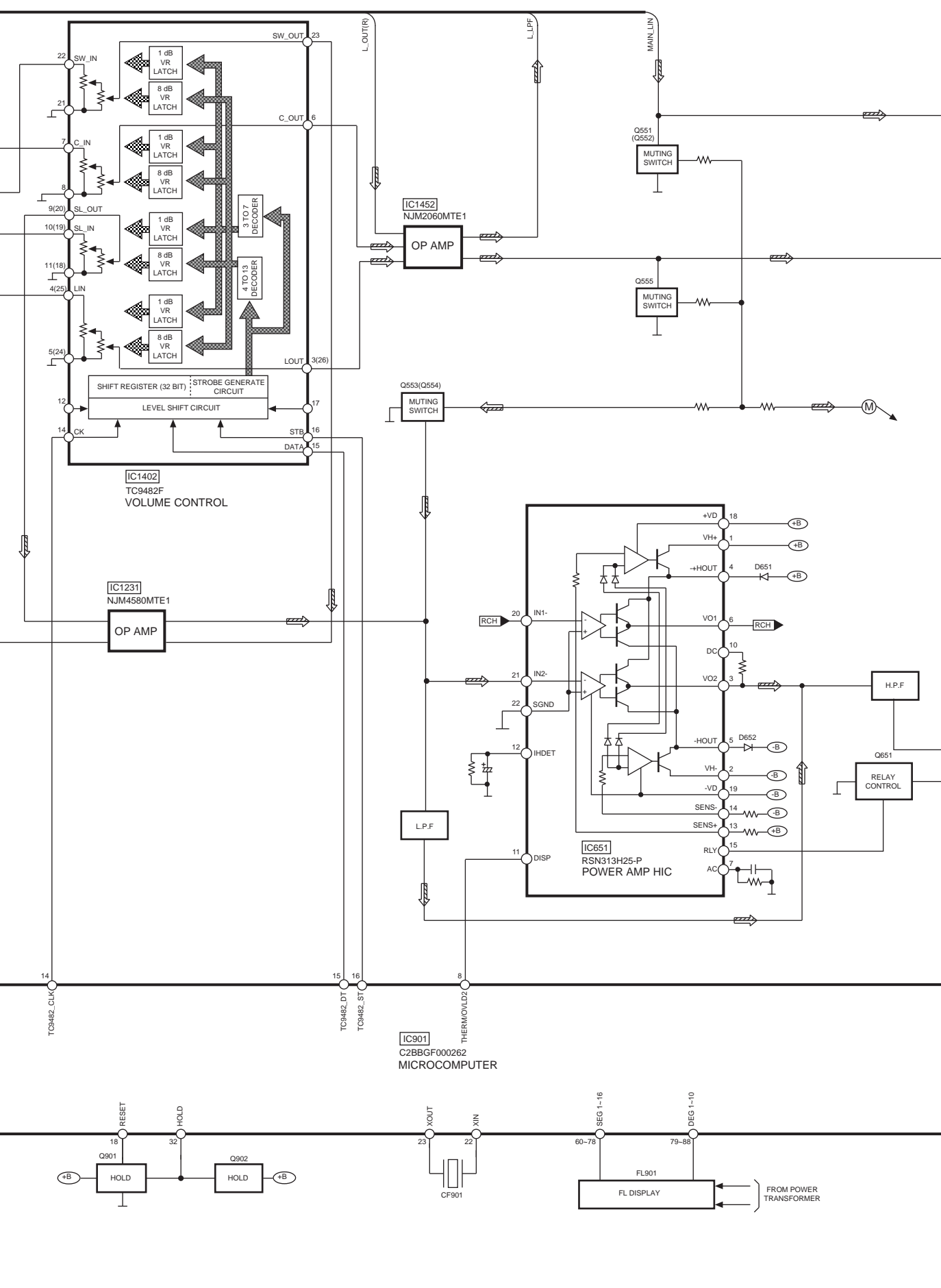
H SWITCH CIRCUIT



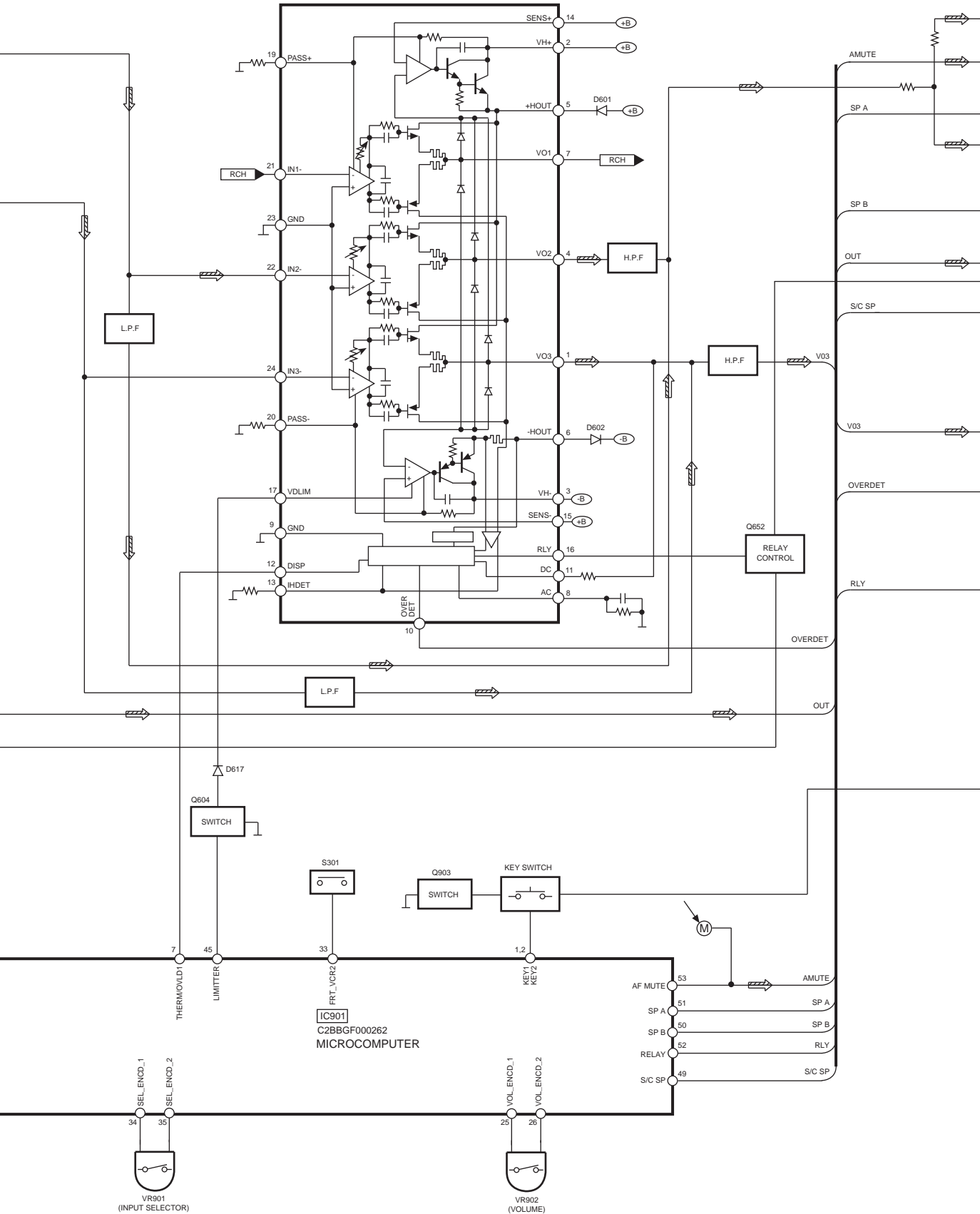








IC601
RSN310R36A-P
POWER AMP HIC



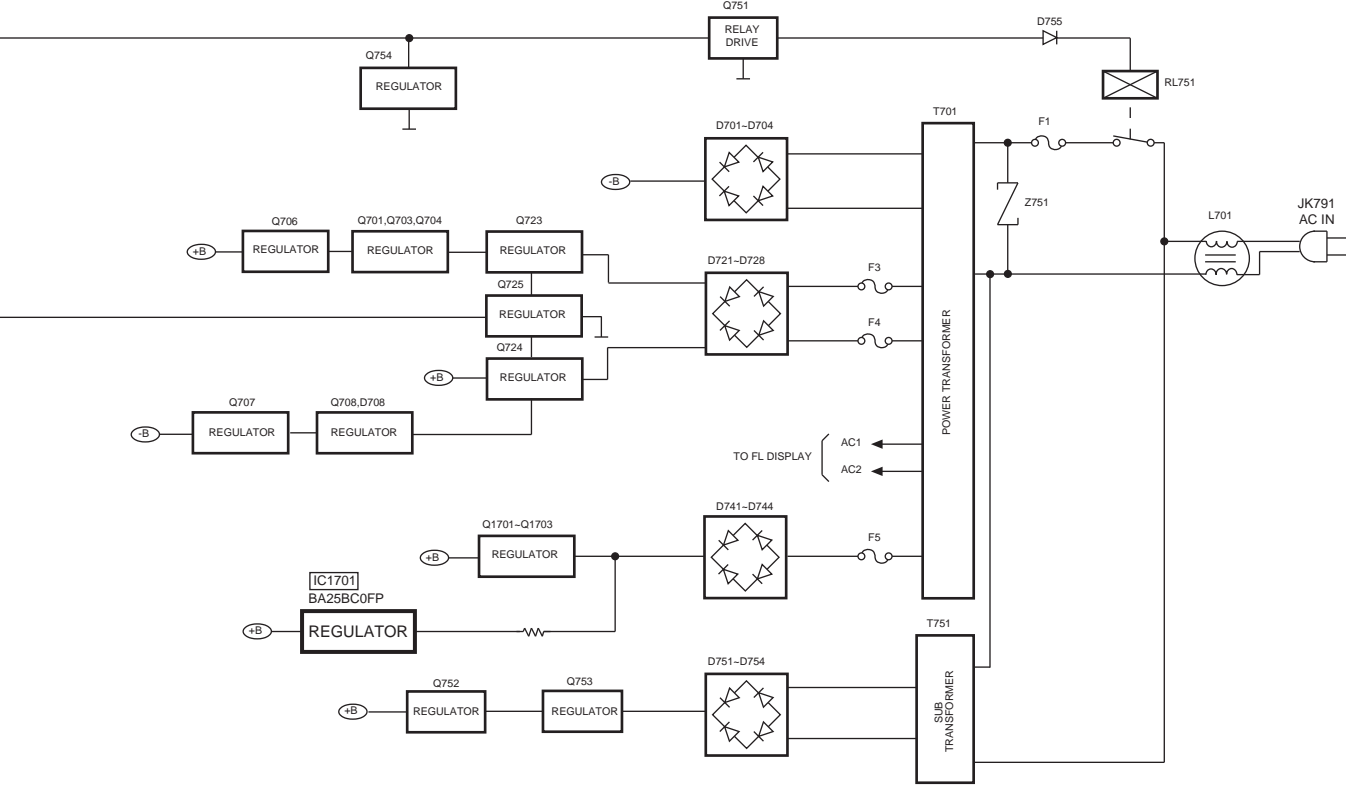
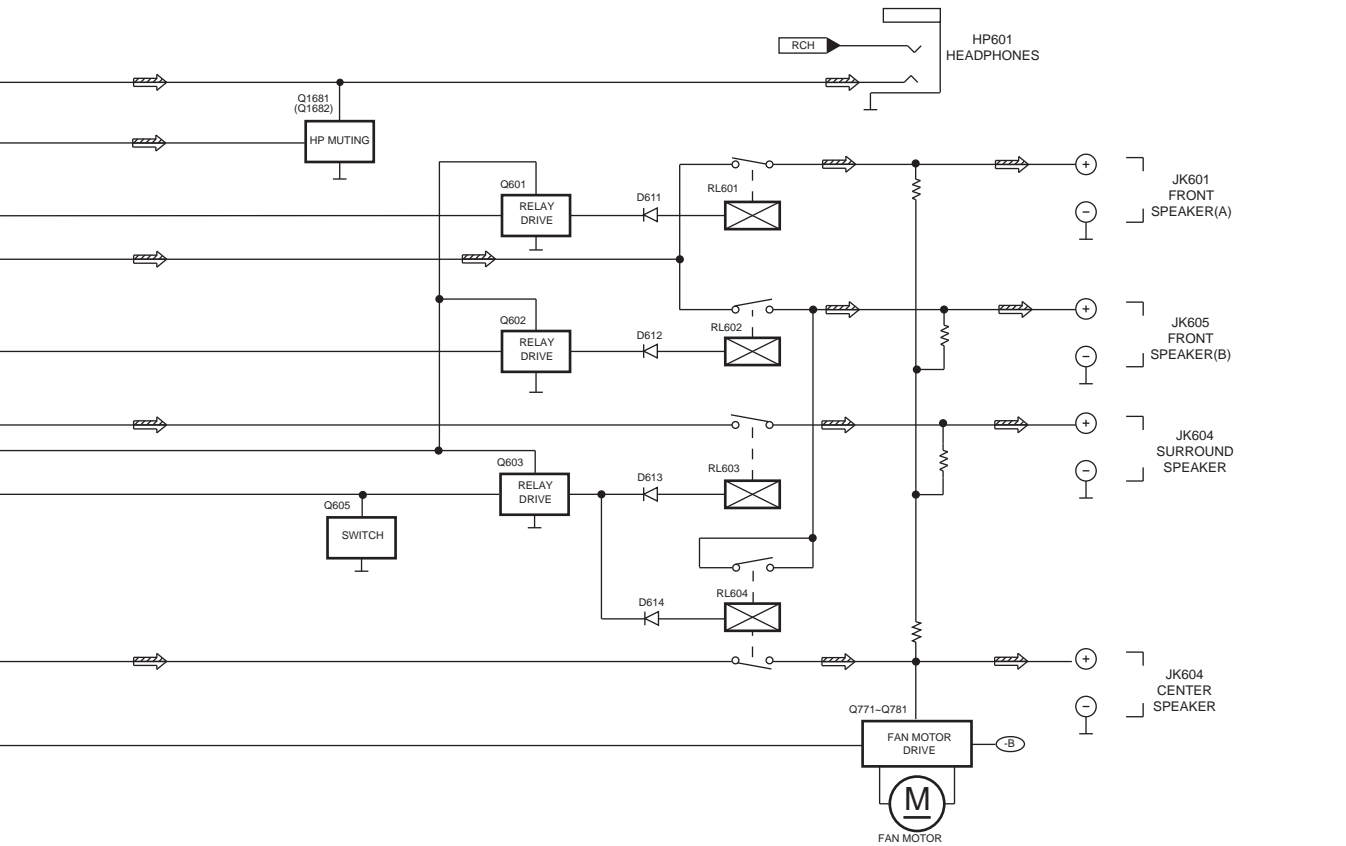
IC901
C2BBGF000262
MICROCOMPUTER

VR901
(INPUT SELECTOR)

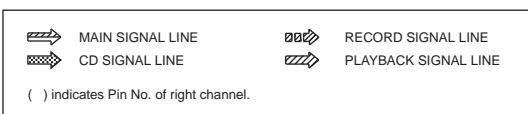
VR902
(VOLUME)

- 53 AF MUTE
- 51 SP A
- 50 SP B
- 52 RELAY
- 49 S/C SP

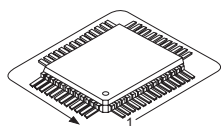
- AMUTE
- SP A
- SP B
- OUT
- S/C SP
- VO3
- OVERDET
- RLY
- OVERDET
- OUT



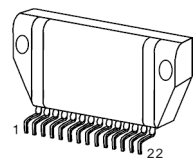
SIGNAL LINES



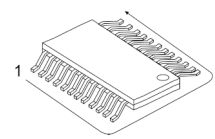
C2BBGF000262 (80p)
CS49326-CLR (40p)
CS4226-KQG (44p)



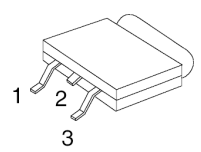
RSN313H25-P



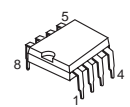
NJM2279MTE1 (14p)



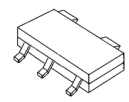
BA25BC0FP



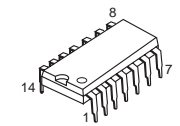
AN6558F
NJM2115MTE1
NJM4580DD
NJM4580MTE1



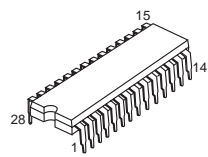
SNAHC1U04DBV



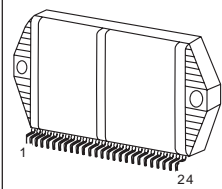
NJM2060MTE1



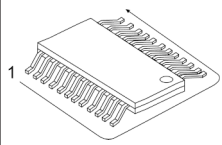
TC9163AN



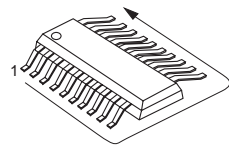
RSN310R36A -P



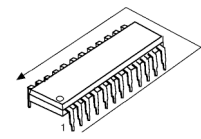
TC9162AF (28p)
TC9482F (28p)



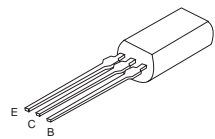
SN74LV244APW (20p)
SN74HCT244PW (20p)
SN74HCU04APW (14p)



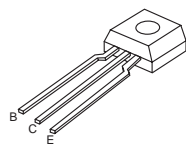
LC72720N (24p)



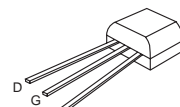
2SA1534AQRTA
2SC3940AQSTA



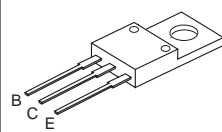
2SD1915FTA



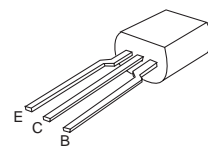
2SK2880CTA



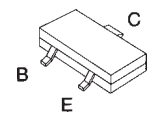
2SB1548PQAU
2SD2374PQAU



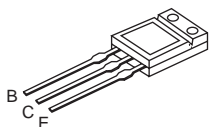
2SB621AQSTA
2SD592AQSTA



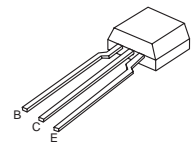
DTA114YETL



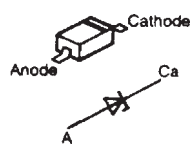
2SD2137PQTA



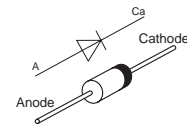
2SA933SQRSTA
2SC1740SSTA
2SC1740SQSTA
RVTDTA114EST
RVTDTA114YST
RVTDTA143XST
RVTDTA143ZST
RVTDTA114EST
RVTDTA113ZST



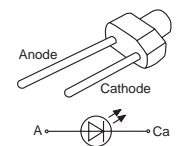
1SS355TE17
UDZSTE176R2B
UDZSTE175R6B



1N5402BM21
RK306LFU1

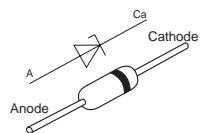


SLR325MCT31
SLR325YCT31
SLR325VCT31

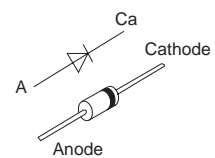


MTZJ16CTA
MTZJ33DTA
MTZJ3R9ATA
MTZJ5R6BTA
MTZJ6R2BTA
MTZJ6R8BTA
MTZJ7R5CTA
MTZJ3R3ATA

MTZJ8R2CTA
1SS291TA
RVD1SS133TA
1SR35400V
RB721Q40T77

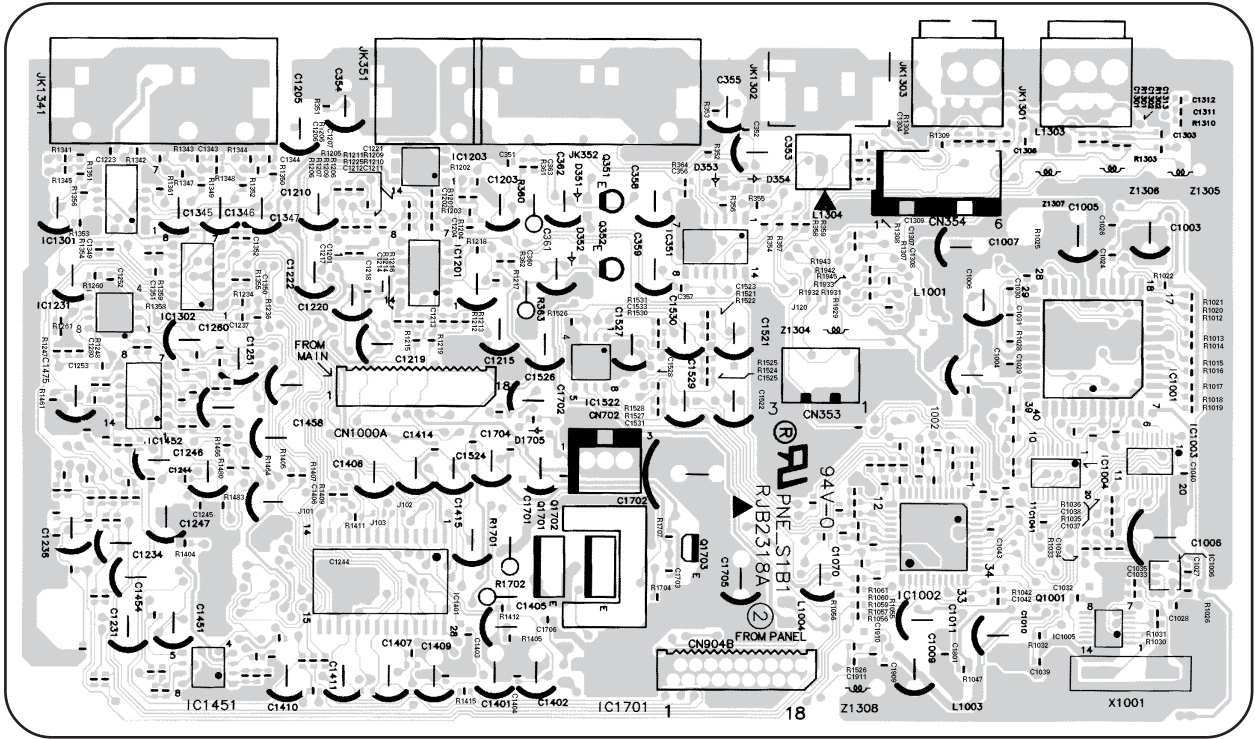


MA167ATA

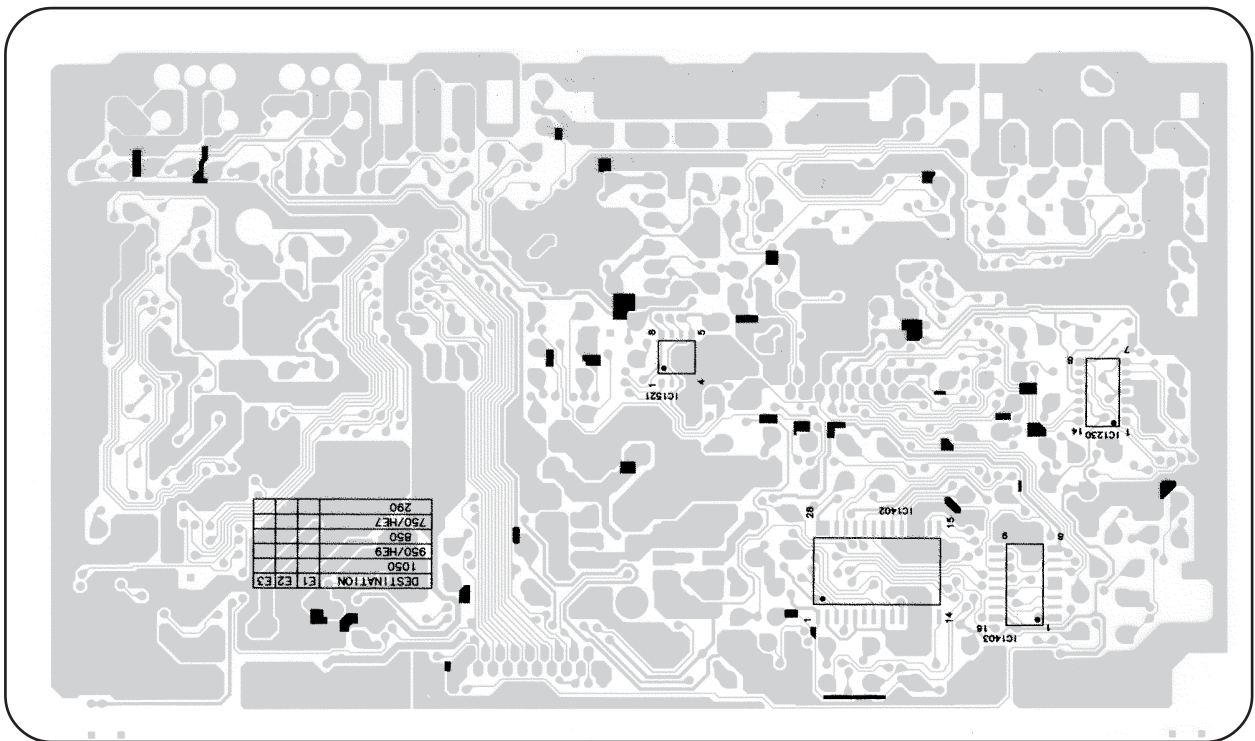


A B C D E F G

A DIGITAL P.C.B. (REP3107D-T) (SIDE A)



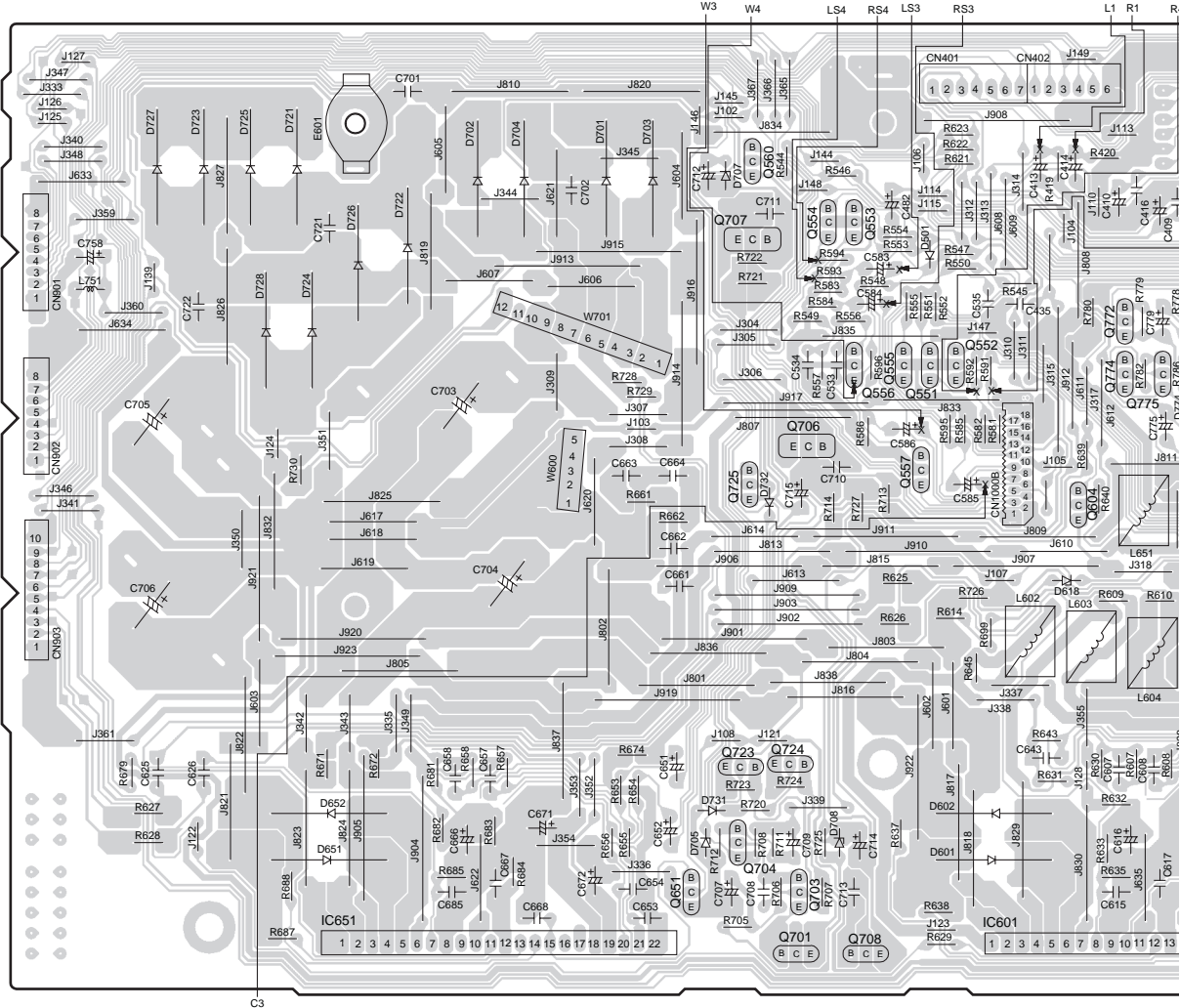
A DIGITAL P.C.B. (REP3107D-T) (SIDE B)



A B C D E F G

C MAIN P.C.B. (REP3109C-M...E/EG) (REP3109D-M...EB)

1
2
3
4
5
6
7
8
9



G

H

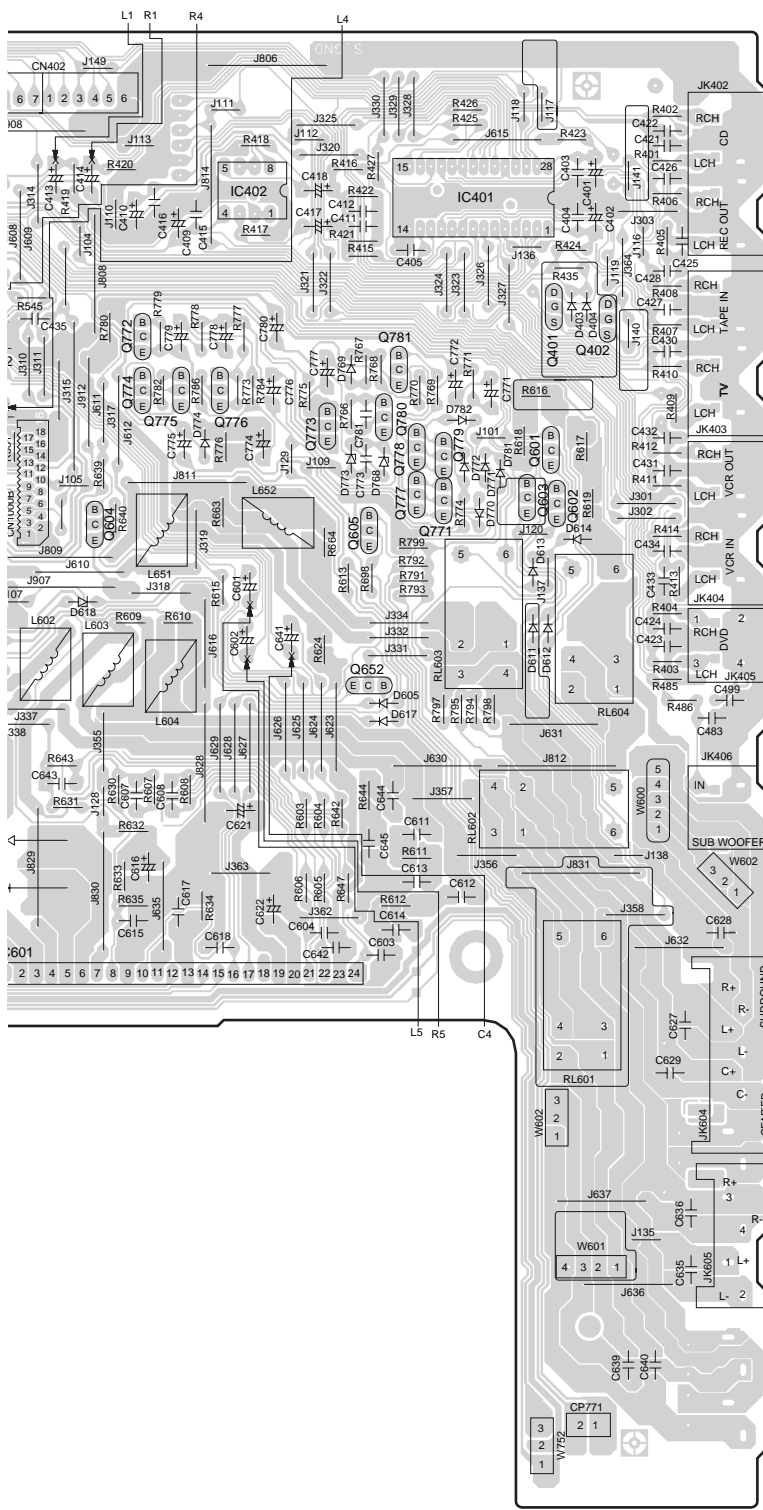
I

J

K

L

M



CD

TAPE

TV

VCR

DVD

SUB WOOFER

SURROUND

FRONT SPEAKERS

CENTER SPEAKERS

SURROUND SPEAKERS

CD

TAPE

TV

VCR

DVD

SUB WOOFER

SURROUND

FRONT SPEAKERS

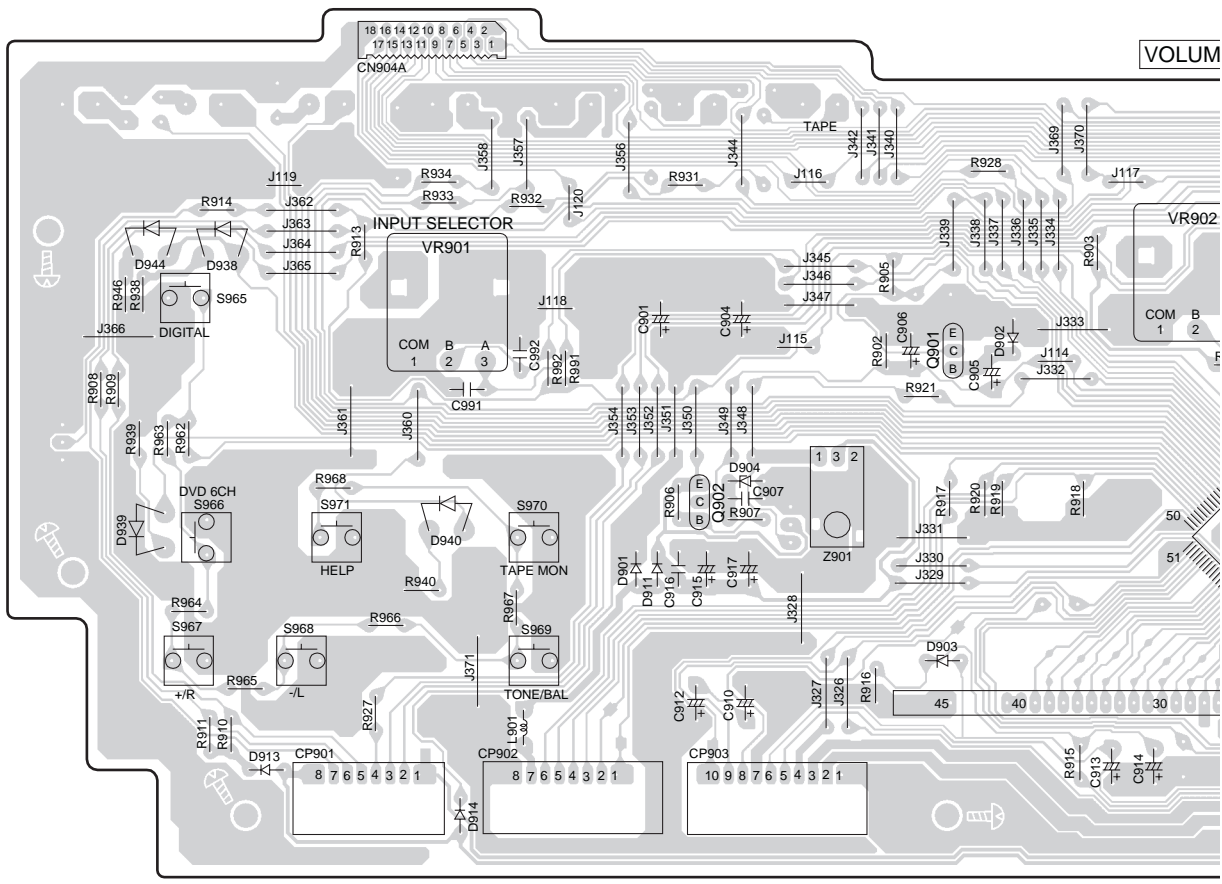
CENTER SPEAKERS

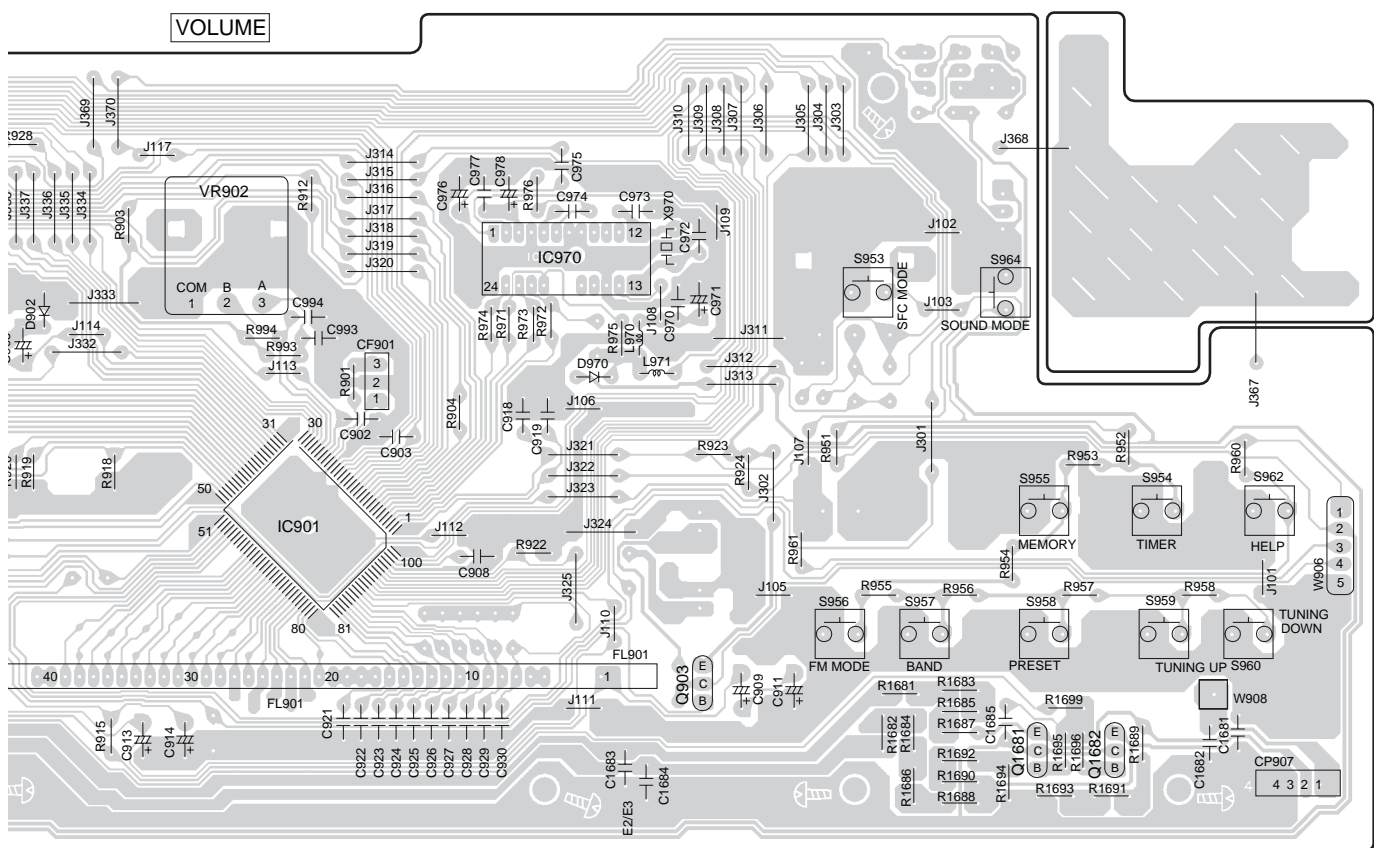
SURROUND SPEAKERS

A B C D E F G

B PANEL P.C.B. (REP3104E-S)

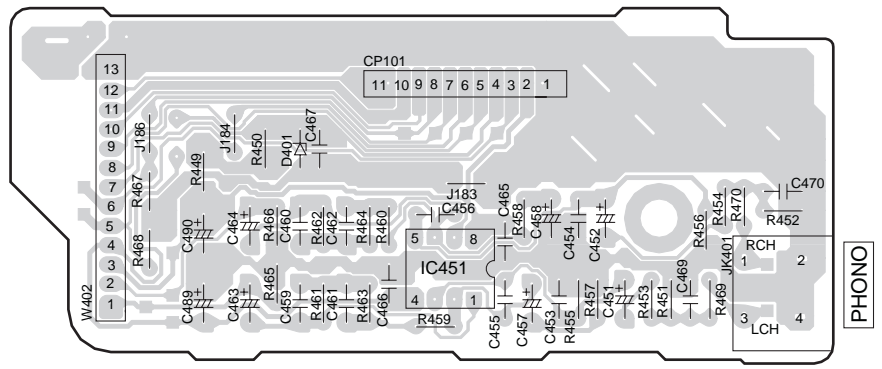
1
2
3
4
5
6
7
8
9





E PHONO EQ P.C.B.
(REP3109C-M...E/EG)
(REP3109D-M...EB)

L TUNER PACK P.C.B.
(RAN0002EM)



A

B

C

D

E

F

G

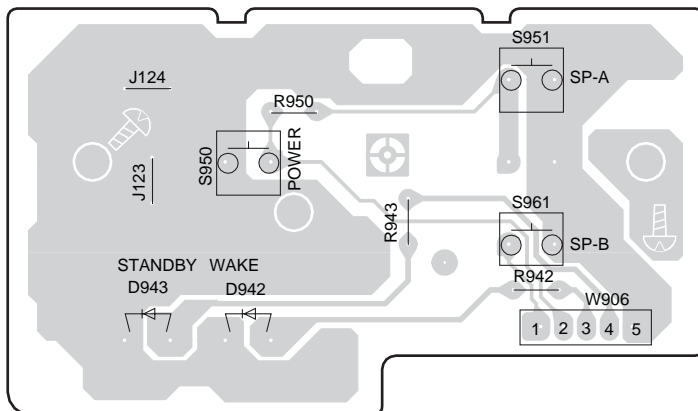
1

H SWITCH P.C.B. (REP3104E-S)

2

3

4



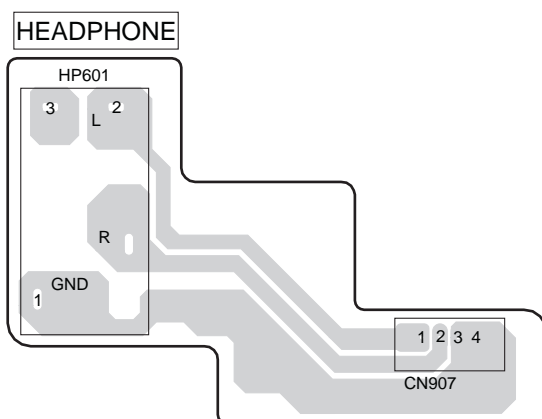
5

J HEADPHONE P.C.B. (REP3104E-S)

6

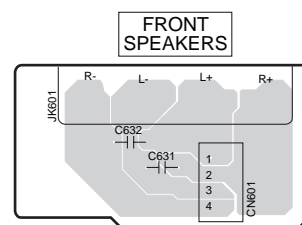
7

8



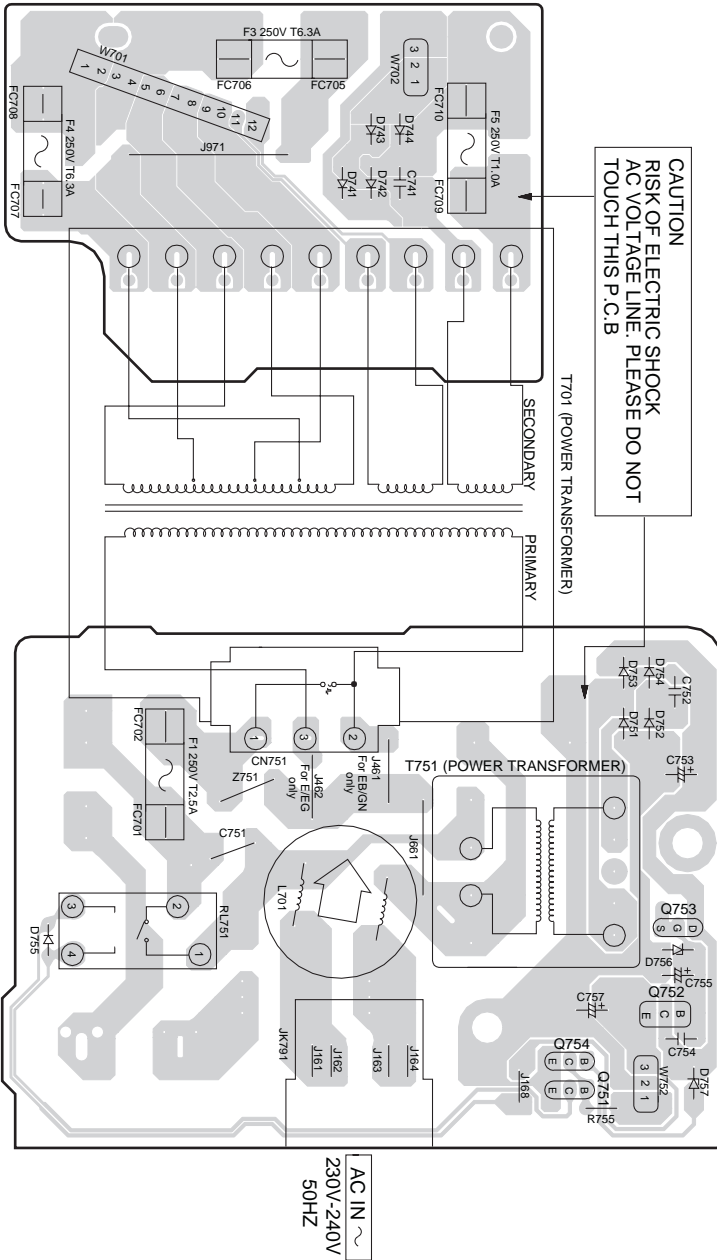
K FRONT SPEAKER A P.C.B. (REP3104E-S)

9



A B C D E F G

M SUB-TRANSFORMER P.C.B. (REP3109C-M...E/EG)
(REP3109D-M...EB)



F TRANSFORMER P.C.B. (REP3109C-M...E/EG)
(REP3109D-M...EB)